

Venus LED Stadium Light



Features

- Separate modular design, 250W each modular integrated with driver
- Use high quality LEDs and power supply to ensure the product reliability and life expectancy, 5 years warranty
- Anti UV optical lens, light transmittance > 94%, professional light distribution with different beam angles for various applications
- Lumileds chip and Mean Well driver, CRI > 80, high light efficiency 140LM/W
- IP66 structural waterproof design

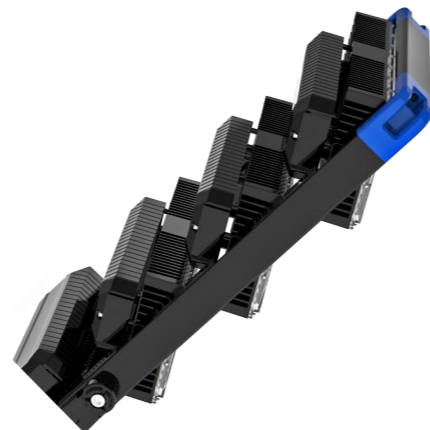
Application

- Parking areas lighting
- Pubic square and passage
- Stadium and gymnasium
- Park and Statue



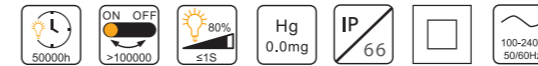
Technical Features

- Input Voltage: AC100-240V 50/60Hz
- Total Harmonic Distortion: THD: < 10%
- Power Factor: PF>0.95
- Color Rendering Index: Ra>80
- Beam Angle: 10/25/45/60/90/130*40/65*25*60 degree
- Lumen maintenance @6000h: >97%
- IP Rating: IP66
- Life Span: >50,000 hours
- Warranty: 5 years
- Material: Aluminum
- Dimmable: 1-10V / PWM / Resistance / Dali available
- Operation Temperature: -25-+50 celsius degree
- Storage Temperature: -40-+70 celsius degree

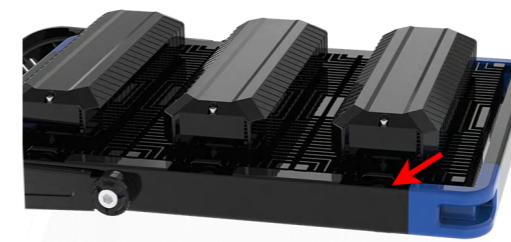


Datasheet

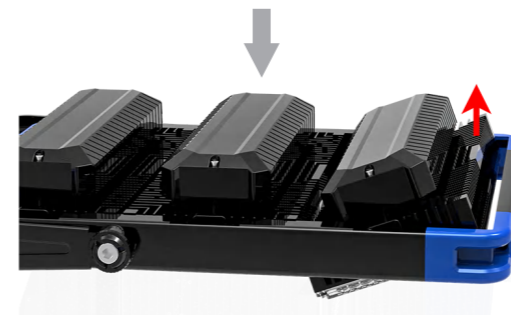
Product Code	Rated Power	Input Voltage	LED Type	CCT	Power Factor	Luminous Flux (LM)	Lumen Efficacy (LM/W)	CRI
LGS-GSLV-250W	250W	AC100-240V	Lumileds	2700-6500K	PF>0.95	35000lm± 10%	140	Ra>80
LGS-GSLV-500W	500W	AC100-240V	Lumileds	2700-6500K	PF>0.95	70000lm± 10%	140	Ra>80
LGS-GSLV-750W	750W	AC100-240V	Lumileds	2700-6500K	PF>0.95	105000lm± 10%	140	Ra>80
LGS-GSLV-1000W	1000W	AC100-240V	Lumileds	2700-6500K	PF>0.95	140000lm± 10%	140	Ra>80
LGS-GSLV-1250W	1250W	AC100-240V	Lumileds	2700-6500K	PF>0.95	175000lm± 10%	140	Ra>80



Assemble and Disassemble operation:

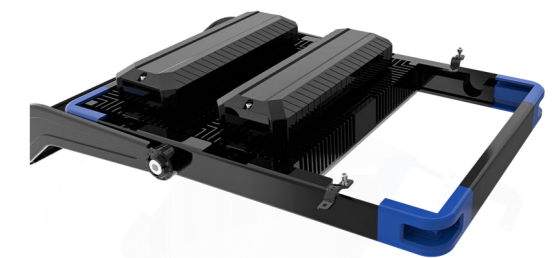


Screw off the wing nuts.

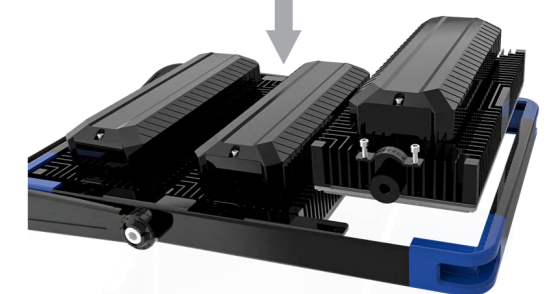


Remove the defective module.

Disassemble



Screw off the wing nuts.



Put on the module, adjust the angle according to requirements and screw on the wing nuts tightly.

Assemble

Photometric Curve

