

Luna LED Stadium Light



Features

- Fashional ADC12 die-casting aluminum housing for good performance of heat dissipation
- Use high quality LEDs and power supply to ensure the product reliability and life expectancy, 5 years warranty
- Anti UV optical lens, light transmittance > 94%, professional light distribution with different beam angles for various applications
- Osram / Lumileds chip and Mean Well driver, CRI > 80, high light efficiency 140LM/W
- 10KV lightning protector, IP66 structural waterproof design

Application

- Parking areas lighting
- Pubic square and passage
- Stadium and gymnasium
- Park and Statue

Technical Features

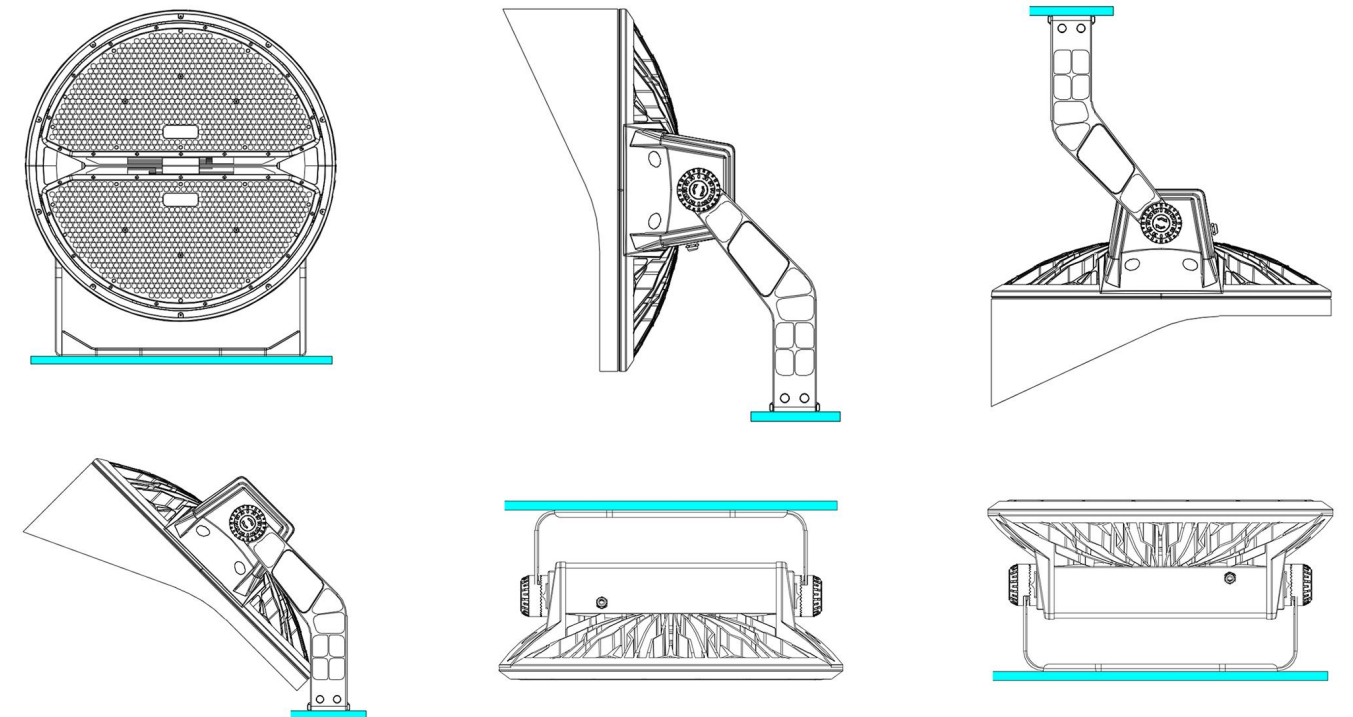
- Input Voltage: AC100-240V 50/60Hz
- Total Harmonic Distortion: THD: < 10%
- Power Factor: PF>0.95
- Color Rendering Index: Ra>80
- Beam Angle: 10/25/45/60/90 degree
- Lumen maintenance @6000h: >97%
- IP Rating: IP66
- Life Span: >50,000 hours
- Warranty: 5 years
- Material: Aluminum
- Dimmable: 1-10V / PWM / Resistance / Dali available
- Operation Temperature: -25--+50 celsius degree
- Storage Temperature: -40--+70 celsius degree

Datasheet

Product Code	Rated Power	Input Voltage	LED Type	CCT	Power Factor	Luminous Flux (LM)	Lumen Efficacy (LM/W)	CRI
LGS-GSLN-400W	400W	AC100-240V	Osram/Lumileds	2700-6500K	PF>0.95	56000lm± 10%	140	Ra>80
LGS-GSLN-500W	500W	AC100-240V	Osram/Lumileds	2700-6500K	PF>0.95	70000lm± 10%	140	Ra>80
LGS-GSLN-800W	800W	AC100-240V	Osram/Lumileds	2700-6500K	PF>0.95	112000lm± 10%	140	Ra>80
LGS-GSLN-1000W	1000W	AC100-240V	Osram/Lumileds	2700-6500K	PF>0.95	140000lm± 10%	140	Ra>80



Installation



Photometric Curve

