



**LOGOS LIGHTING CO., LTD**

*Lighting the Future*

2024 CATALOGUE

## LOGOS LIGHTING CO., LTD

Add: 5th Floor, Building A, Zhixuanhan Yuanling Industrial  
Park, Shiyan Town, Baoan, Shenzhen, China 518108

Tel: +86-755-27350812

Fax: +86-755-27350712

Email: [info@logosled.com](mailto:info@logosled.com)

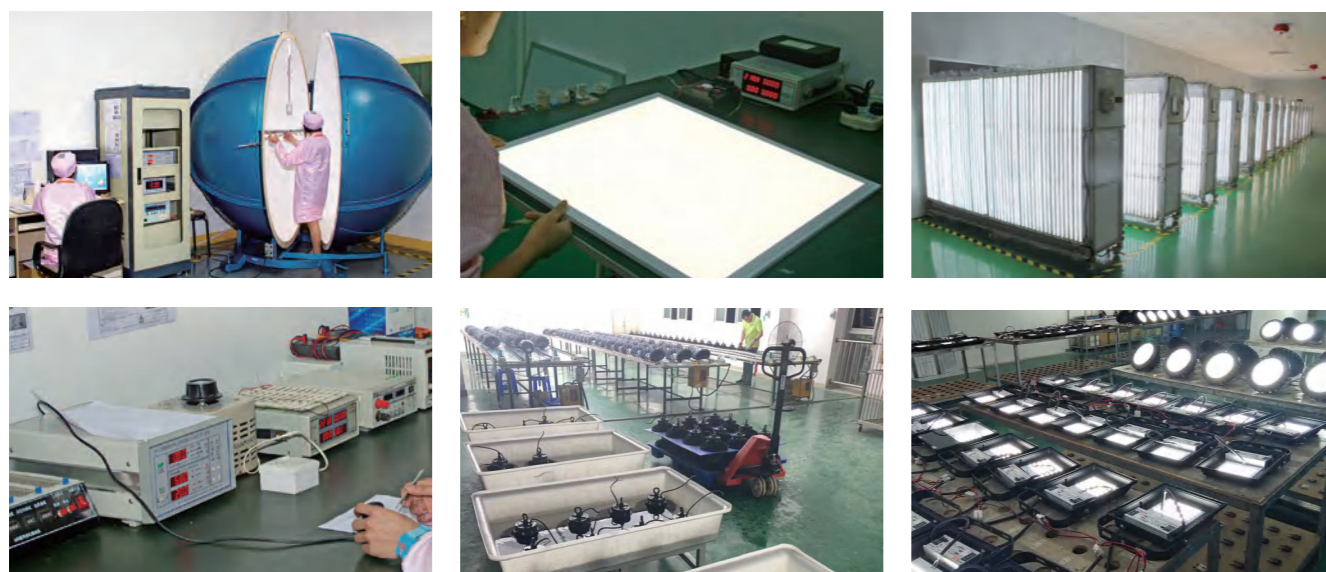
Web: [www.logosled.com](http://www.logosled.com) [www.logoslighting.com](http://www.logoslighting.com)



## Production



## Quality Control



## R & D



# Contents



LED Panel Light  
03-08



LED Down Light  
09-12



LED Vapor Light  
13-16



LED Wall Light  
17-20



LED High Bay Light  
21-32



LED Street Light  
33-36

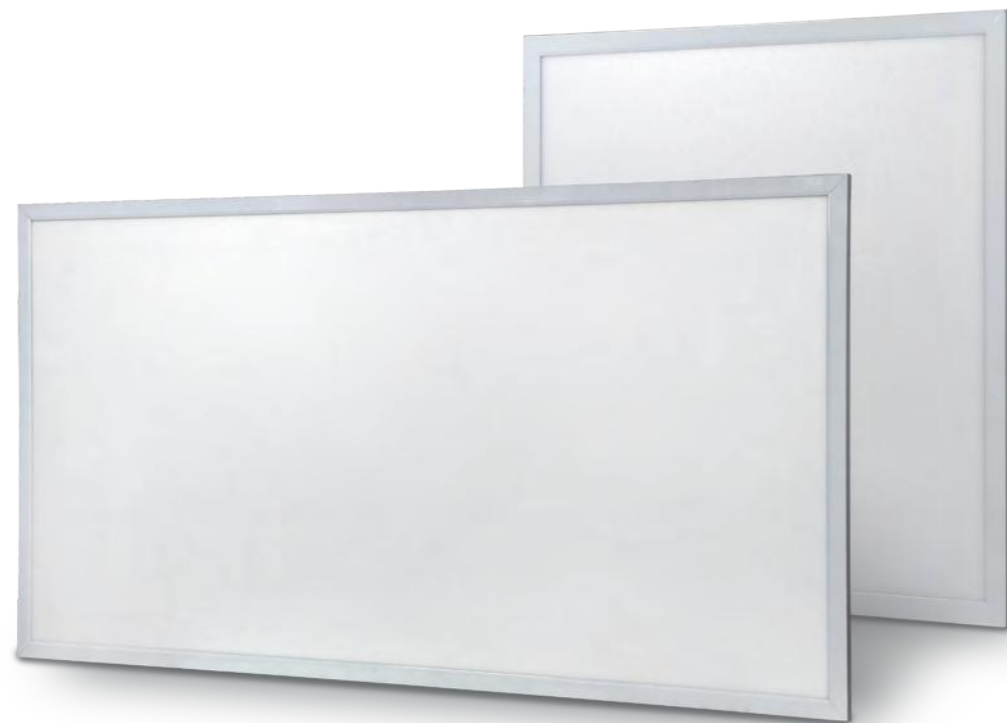


LED Flood Light  
37-44



LED High Mast Light  
45-56

# Edge Lit LED Panel Light



## Features

- Packed with branded LEDs and power supply to ensure the product reliability and life expectancy
- Saving more than 80% energy compared with traditional lighting fixtures
- High transmission rate PMMA Light Guide Plate, no yellowing
- Elegant appearance for various applications
- Available with Triac dimming, 1-10V dimming and DALI dimming & intelligent controls
- Long lifetime >50,000 hours, 5 years warranty

## Application

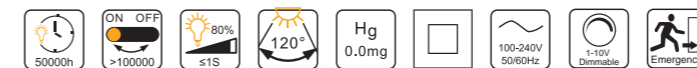
- Retail, offices, schools, hospitals
- Corridors and stairwells
- Shop and maintenance areas

## Technical Features

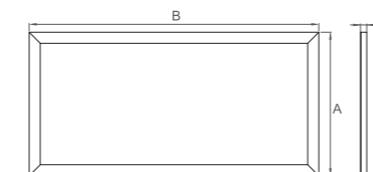
- Input Voltage: AC100-240V 50/60Hz
- Total Harmonic Distortion: THD: <10%
- Power Factor: PF>0.95
- Color Rendering Index: Ra>80(Ra>90 Optional)
- Beam Angle: 120 degree
- Lumen maintenance @6000h: >97%
- IP Rating: IP40
- Life Span: >50,000 hours
- Warranty: 5 years
- Material: Aluminum+PMMA LGP+Opal diffuser
- Dimmable: 0-10V / PWM / Resistance / Dali available
- Operation Temperature: -30+50 celsius degree
- Storage Temperature: -40+70 celsius degree

## Datasheet

Product	Product Code	Rated Power	Input Voltage	Power Factor	Luminous Flux (LM)	Lumen Efficacy (LM/W)	CRI
30*30cm	LGS-PL01-11-20W	20W	AC100-240V	PF>0.95	2000lm±10%	100lm/w(125lm/w optional)	Ra>80
30*60cm	LGS-PL01-12-24W	24W	AC100-240V	PF>0.95	2400lm±10%	100lm/w(125lm/w optional)	Ra>80
60*60cm	LGS-PL01-22-30W	30W	AC100-240V	PF>0.95	3000lm±10%	100lm/w(125lm/w optional)	Ra>80
	LGS-PL01-22-36W	36W	AC100-240V	PF>0.95	3600lm±10%	100lm/w(125lm/w optional)	Ra>80
	LGS-PL01-22-40W	40W	AC100-240V	PF>0.95	4000lm±10%	100lm/w(125lm/w optional)	Ra>80
62*62cm	LGS-PL02-22-30W	30W	AC100-240V	PF>0.95	3000lm±10%	100lm/w(125lm/w optional)	Ra>80
	LGS-PL02-22-36W	36W	AC100-240V	PF>0.95	3600lm±10%	100lm/w(125lm/w optional)	Ra>80
	LGS-PL02-22-40W	40W	AC100-240V	PF>0.95	4000lm±10%	100lm/w(125lm/w optional)	Ra>80
30*120cm	LGS-PL01-14-30W	30W	AC100-240V	PF>0.95	3000lm±10%	100lm/w(125lm/w optional)	Ra>80
	LGS-PL01-14-36W	36W	AC100-240V	PF>0.95	3600lm±10%	100lm/w(125lm/w optional)	Ra>80
	LGS-PL01-14-40W	40W	AC100-240V	PF>0.95	4000lm±10%	100lm/w(125lm/w optional)	Ra>80
60*120cm	LGS-PL01-24-50W	50W	AC100-240V	PF>0.95	5000lm±10%	100lm/w(125lm/w optional)	Ra>80
	LGS-PL01-24-60W	60W	AC100-240V	PF>0.95	6000lm±10%	100lm/w(125lm/w optional)	Ra>80
	LGS-PL01-24-72W	72W	AC100-240V	PF>0.95	7200lm±10%	100lm/w(125lm/w optional)	Ra>80

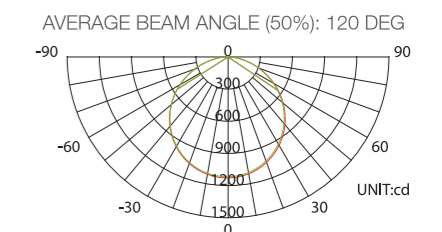


## Dimension Unit: mm



Product	A	B	C
30*30cm	295	295	9
30*60cm	295	595	9
60*60cm	595/603	595/603	9
62*62cm	620	620	9
30*120cm	295/303	1195/1213	9
60*120cm	595/603	1195/1213	9

## Photometry Curve



## Optional Accessories & Functions



# Back Lit LED Panel Light



## Features

- Super slim design with back-lit emitting, perfect light uniformity, LM-80 rated SMD LED chips
- Packed with branded power supply to ensure the product reliability and life expectancy
- Saving more than 80% energy compared with traditional lighting fixtures
- No LGP, don't worry about the yellowing of traditional LED panel lights
- Elegant appearance for various applications
- Available with Triac dimming, 1-10V dimming and DALI dimming & intelligent controls
- Long lifetime >50,000 hours, 5 years warranty

## Application

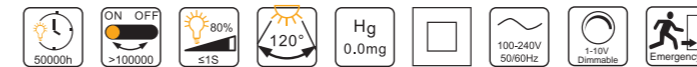
- Retail, offices, schools, hospitals
- Corridors and stairwells
- Shop and maintenance areas

## Technical Features

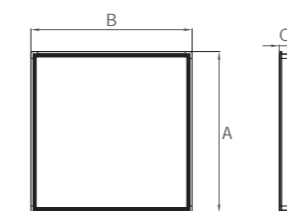
- Input Voltage: AC100-240V 50/60Hz
- Total Harmonic Distortion: THD: < 10%
- Power Factor: PF>0.95
- Color Rendering Index: Ra>80(Ra>90 Optional)
- Beam Angle: 120 degree
- Lumen maintenance @6000h: >97%
- IP Rating: IP40
- Life Span: >50,000 hours
- Warranty: 5 years
- Material: Steel sheet+Al frame+PMMA lens+PS
- Dimmable: 0-10V / PWM / Resistance / Dali available
- Operation Temperature: -30+50 celsius degree
- Storage Temperature: -40+70 celsius degree

## Datasheet

Product	Product Code	Rated Power	Input Voltage	Power Factor	Luminous Flux (LM)	Lumen Efficacy (LM/W)	CRI
30*30cm	LGS-PL01-11-20W(B)	20W	AC100-240V	PF>0.95	2400lm± 10%	120lm/w(140lm/w optional)	Ra>80
30*60cm	LGS-PL01-12-24W(B)	24W	AC100-240V	PF>0.95	2880lm± 10%	120lm/w(140lm/w optional)	Ra>80
60*60cm	LGS-PL01-22-30W(B)	30W	AC100-240V	PF>0.95	3600lm± 10%	120lm/w(140lm/w optional)	Ra>80
	LGS-PL01-22-36W(B)	36W	AC100-240V	PF>0.95	4320lm± 10%	120lm/w(140lm/w optional)	Ra>80
	LGS-PL01-22-40W(B)	40W	AC100-240V	PF>0.95	4800lm± 10%	120lm/w(140lm/w optional)	Ra>80
62*62cm	LGS-PL02-22-30W(B)	30W	AC100-240V	PF>0.95	3600lm± 10%	120lm/w(140lm/w optional)	Ra>80
	LGS-PL02-22-36W(B)	36W	AC100-240V	PF>0.95	4320lm± 10%	120lm/w(140lm/w optional)	Ra>80
	LGS-PL02-22-40W(B)	40W	AC100-240V	PF>0.95	4800lm± 10%	120lm/w(140lm/w optional)	Ra>80
30*120cm	LGS-PL01-14-30W(B)	30W	AC100-240V	PF>0.95	3600lm± 10%	120lm/w(140lm/w optional)	Ra>80
	LGS-PL01-14-36W(B)	36W	AC100-240V	PF>0.95	4320lm± 10%	120lm/w(140lm/w optional)	Ra>80
	LGS-PL01-14-40W(B)	40W	AC100-240V	PF>0.95	4800lm± 10%	120lm/w(140lm/w optional)	Ra>80
60*120cm	LGS-PL01-24-50W(B)	50W	AC100-240V	PF>0.95	6000lm± 10%	120lm/w(140lm/w optional)	Ra>80
	LGS-PL01-24-60W(B)	60W	AC100-240V	PF>0.95	7200lm± 10%	120lm/w(140lm/w optional)	Ra>80
	LGS-PL01-24-72W(B)	72W	AC100-240V	PF>0.95	8640lm± 10%	120lm/w(140lm/w optional)	Ra>80



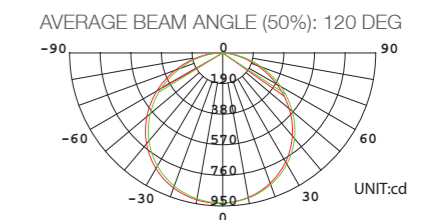
## Dimension



Unit: mm

Product	A	B	C
30*30cm	295	295	35
30*60cm	295	595	35
60*60cm	595/603	595/603	35
62*62cm	620	620	35
30*120cm	295/303	1195/1213	35
60*120cm	595/603	1195/1213	35

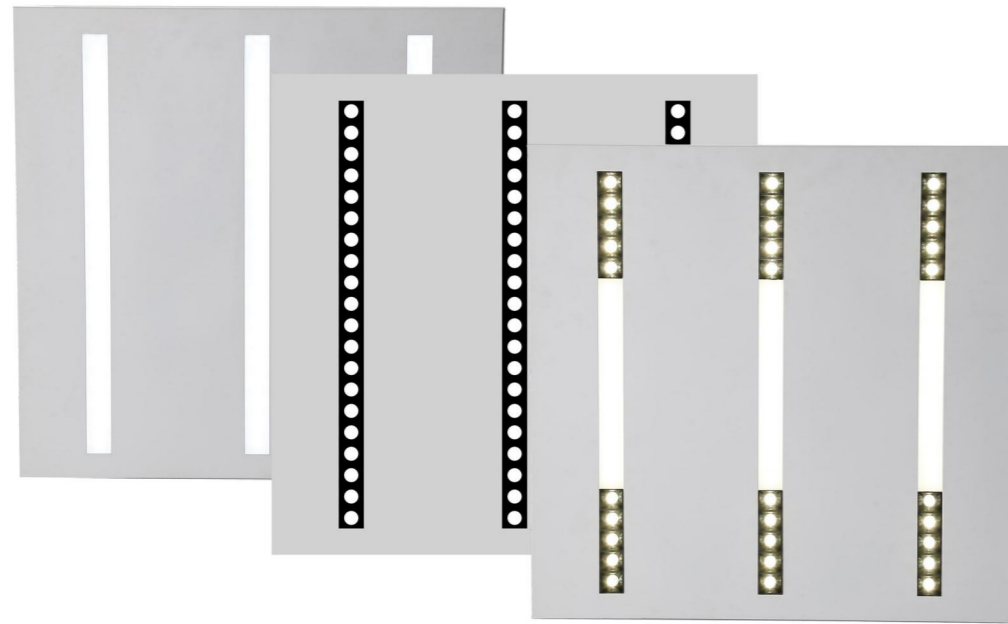
## Photometry Curve



## Optional Accessories & Functions



# Grille LED Panel Light



## Features

- Revolutionary lens design to offer high efficiency lighting output, anti-glare and UGR<13 available
- Packed with branded LEDs and power supply to ensure the product reliability and life expectancy
- Saving more than 80% energy compared with traditional lighting
- Elegant appearance for various applications
- Available with Triac dimming, 1-10V dimming and DALI dimming & intelligent controls
- Long lifetime>50,000 hours, 5 years warranty

## Technical Features

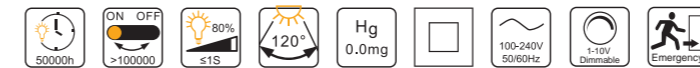
- Input Voltage: AC100-240V 50/60Hz
- Total Harmonic Distortion: THD: < 10%
- Power Factor: PF>0.95
- Color Rendering Index: Ra>80(Ra>90 Optional)
- Beam Angle: 36/120/36+120 degree
- Lumen maintenance @6000h: >97%
- IP Rating: IP44
- Life Span: >50,000 hours
- Warranty: 5 years
- Material: Iron+Polycarbonate
- Dimmable: 0-10V / PWM / Resistance / Dali available
- Operation Temperature: -30+50 celsius degree
- Storage Temperature: -40+70 celsius degree

## Application

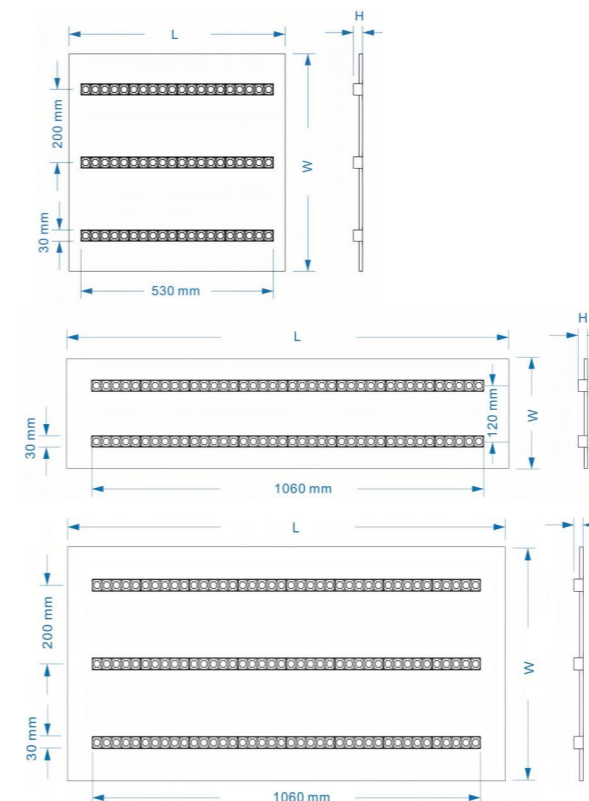
- Retail, offices, schools, hospitals
- Corridors and stairwells
- Shop and maintenance areas

## Datasheet

Product	Product Code	Rated Power	Input Voltage	Power Factor	Luminous Flux (LM)	Lumen Efficacy (LM/W)	CRI
60*60cm	LGS-PL01-22-30W(G)	30W	AC100-240V	PF>0.95	3600lm± 10%	120lm/w	Ra>80
	LGS-PL01-22-36W(G)	36W	AC100-240V	PF>0.95	4320lm± 10%	120lm/w	Ra>80
	LGS-PL01-22-40W(G)	40W	AC100-240V	PF>0.95	4800lm± 10%	120lm/w	Ra>80
62*62cm	LGS-PL02-22-30W(G)	30W	AC100-240V	PF>0.95	3600lm± 10%	120lm/w	Ra>80
	LGS-PL02-22-36W(G)	36W	AC100-240V	PF>0.95	4320lm± 10%	120lm/w	Ra>80
	LGS-PL02-22-40W(G)	40W	AC100-240V	PF>0.95	4800lm± 10%	120lm/w	Ra>80
30*120cm	LGS-PL01-14-30W(G)	30W	AC100-240V	PF>0.95	3600lm± 10%	120lm/w	Ra>80
	LGS-PL01-14-36W(G)	36W	AC100-240V	PF>0.95	4320lm± 10%	120lm/w	Ra>80
	LGS-PL01-14-40W(G)	40W	AC100-240V	PF>0.95	4800lm± 10%	120lm/w	Ra>80
60*120cm	LGS-PL01-24-50W(G)	50W	AC100-240V	PF>0.95	6000lm± 10%	120lm/w	Ra>80
	LGS-PL01-24-60W(G)	60W	AC100-240V	PF>0.95	7200lm± 10%	120lm/w	Ra>80
	LGS-PL01-24-72W(G)	72W	AC100-240V	PF>0.95	8640lm± 10%	120lm/w	Ra>80



## Dimensions



NO.	L(mm)	W(mm)	H(mm)
1	595	595	25
2	600	600	25
3	603	603	25
4	620	620	25

NO.	L(mm)	W(mm)	H(mm)
1	295	1195	25
2	300	1200	25
3	303	1213	25

NO.	L(mm)	W(mm)	H(mm)
1	595	1195	25
2	600	1200	25
3	603	1213	25

# KORA LED Down Light



## Features

- Use high quality LED and power supply, to ensure the product reliability and life expectancy
- Range of vigorous series, high grade die-casting Aluminum housing with powder coated finish
- Saving more than 80% energy compared with traditional lighting fixtures
- Elegant appearance for various applications
- Additional multi-functions DALI/0-10V/Rx/PWM dimming and Tunable White are available on request
- 5 years warranty

## Application

- Retail, offices, schools, hospitals
- Corridors and stairwells
- Shop and maintenance areas

## Technical Features

- Input Voltage: AC220-240V 50/60Hz
- Total Harmonic Distortion: THD: < 10%
- Power Factor: PF>0.9
- Color Rendering Index: Ra>80(Ra>90 Optional)
- Beam Angle: 90 degree
- Lumen maintenance @6000h: >97%
- IP Rating: IP54
- Life Span: >50,000 hours
- Warranty: 5 years
- Material: Aluminum + Acrylic Diffuser
- Dimmable: 0-10V / PWM / Resistance / Dali available
- Operation Temperature: -20-+45 celsius degree
- Storage Temperature: -40-+70 celsius degree

## Datasheet

Product Code	Rated Power	Input Voltage	LED Type	CCT	Power Factor	Luminous Flux (LM)	Lumen Efficacy (LM/W)	CRI
LGS-RDLKR-05W	5W	AC220-240V	SMD2835	2700-6500K	PF>0.9	425lm± 10%	85	Ra>80
LGS-RDLKR-10W	10W	AC220-240V	SMD2835	2700-6500K	PF>0.9	900lm± 10%	90	Ra>80
LGS-RDLKR-15W	15W	AC220-240V	SMD2835	2700-6500K	PF>0.9	1400lm± 10%	93	Ra>80
LGS-RDLKR-20W	20W	AC220-240V	SMD2835	2700-6500K	PF>0.9	1900lm± 10%	95	Ra>80
LGS-RDLKR-30W	30W	AC220-240V	SMD2835	2700-6500K	PF>0.9	2850lm± 10%	95	Ra>80
LGS-RDLKR-40W	40W	AC220-240V	SMD2835	2700-6500K	PF>0.9	3800lm± 10%	95	Ra>80



## Optional Appearance



Bright Silver



Bright Black



Rose Gold

# PLATINUM LED Down Light



## Features

- Endurable die-casting aluminum housing with good heat dissipation
- Use high performance reputed brand LEDs and power supply, to ensure the product reliability and life expectancy
- No UV/IR light, environment-friendly, without Mercury or any other hazardous substances
- Saving more than 80% energy compared with traditional lighting fixtures
- Elegant appearance for various applications
- Additional multi-functions DALI/0-10V/Rx/PWM dimming and Tunable White are available on request
- 5 years warranty

## Application

- Retail, offices, schools, hospitals
- Corridors and stairwells
- Shop and maintenance areas

## Technical Features

- Input Voltage: AC220-240V 50/60Hz
- Total Harmonic Distortion: THD: < 10%
- Power Factor: PF>0.9
- Color Rendering Index: Ra>80(Ra>90 Optional)
- Beam Angle: 90 degree
- Lumen maintenance @6000h: >97%
- IP Rating: IP44
- Life Span: >50,000 hours
- Warranty: 5 years
- Material: Aluminum + AL Reflector + Diffuser
- Dimmable: 0-10V / PWM / Resistance / DALI available
- Operation Temperature: -20-+45 celsius degree
- Storage Temperature: -40-+70 celsius degree

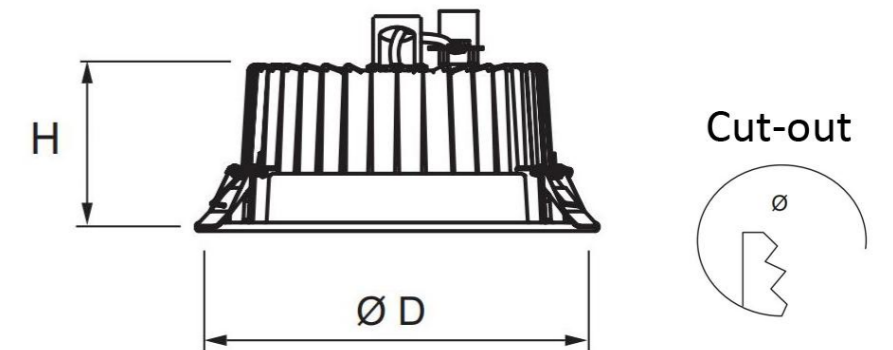
## Datasheet

Product Code	Rated Power	Input Voltage	LED Type	CCT	Power Factor	Luminous Flux (LM)	Lumen Efficacy (LM/W)	CRI
LGS-RDL03-05W	5W	AC220-240V	SMD2835	2700-6500K	PF>0.5	500lm± 10%	100	Ra>80
LGS-RDL03-10W	10W	AC220-240V	SMD2835	2700-6500K	PF>0.5	1050lm± 10%	105	Ra>80
LGS-RDL03-15W	15W	AC220-240V	SMD2835	2700-6500K	PF>0.9	1575lm± 10%	105	Ra>80
LGS-RDL03-20W	20W	AC220-240V	SMD2835	2700-6500K	PF>0.9	2200lm± 10%	110	Ra>80
LGS-RDL03-30W	30W	AC220-240V	SMD2835	2700-6500K	PF>0.9	3300lm± 10%	110	Ra>80
LGS-RDL03-40W	40W	AC220-240V	SMD2835	2700-6500K	PF>0.9	4400lm± 10%	110	Ra>80



## Dimensions

Power	Measure	Cut out
5W	D100*H52mm	D85mm
10W	D130*H61mm	D115mm
15W	D160*H65mm	D145mm
20W	D190*H70mm	D175mm
30W	D230*H85mm	D205mm
40W	D300*H100mm	D260mm



# Aries LED Vapor Light



## Datasheet

Product Code	Rated Power	Input Voltage	LED Type	CCT	Power Factor	Luminous Flux (LM)	Lumen Efficacy (LM/W)	CRI
LGS-TPLAR-06-20W	20W	AC100-240V	SMD2835	2700-6500K	PF>0.95	2400lm± 10%	120	Ra>80
LGS-TPLAR-09-30W	30W	AC100-240V	SMD2835	2700-6500K	PF>0.95	3600lm± 10%	120	Ra>80
LGS-TPLAR-12-40W	40W	AC100-240V	SMD2835	2700-6500K	PF>0.95	4800lm± 10%	120	Ra>80
LGS-TPLAR-15-60W	60W	AC100-240V	SMD2835	2700-6500K	PF>0.95	7200lm± 10%	120	Ra>80
LGS-TPLAR-15-75W	75W	AC100-240V	SMD2835	2700-6500K	PF>0.95	9000lm± 10%	120	Ra>80



## Features

- Use high quality LED and power supply, to ensure the product reliability and life expectancy
- Adopt dust and waterproof structure design, protection level IP66
- Aluminum profile and polycarbonate diffuser, high impact resistance
- Fast and easy installation to replace existing lighting fixtures
- 0-10V dimmable/Dali/Motion Sensor/Emergency available
- 5 years warranty

## Technical Features

- Input Voltage: AC100-240V 50/60Hz
- Total Harmonic Distortion: THD: < 10%
- Power Factor: PF>0.95
- Color Rendering Index: Ra>80
- Beam Angle: 120 degree
- Lumen maintenance @6000h: >97%
- IP Rating: IP66
- Life Span: >50,000 hours
- Warranty: 5 years
- Material: Aluminum + Polycarbonate Diffuser
- Dimmable: 1-10V / PWM / Resistance / Dali available
- Operation Temperature: -30-+50 celsius degree
- Storage Temperature: -40-+70 celsius degree

## Application

- Parking areas Lighting
- Corridor Lighting
- Warehouse Lighting
- Shop and maintenance areas

## Installation



Ceiling/Wall Mounting



Suspending Mounted



# Cygnus LED Vapor Light



## Features

- Packed with top reputed branded LEDs and power supply, to ensure the product reliability and life expectancy
- Adopt dust and waterproof structure design, protection level IP65
- Polycarbonate body and diffuser, aluminum heat sinking inside, high impact resistance, UV resistance
- Fast and easy installation to replace existing lighting fixtures
- 0-10V dimmable/DALI/Motion Sensor/Emergency available
- Long lifetime over 50,000 hours, 5 years warranty

## Application

- Underfloor cars parking lot
- Supermarkets, shops, hotels
- Stockrooms, warehouses, workshops
- Airport/Train/Bus station waiting rooms, etc

## Technical Features

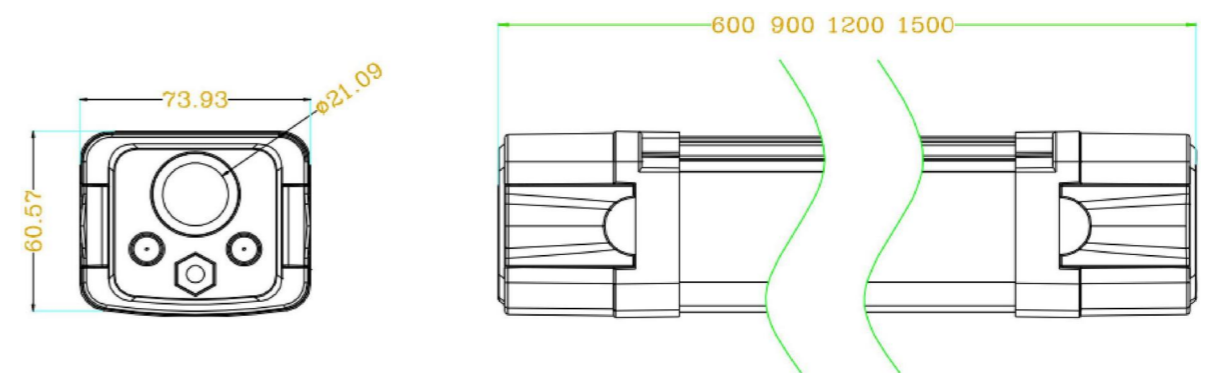
- Input Voltage: AC100-240V 50/60Hz
- Total Harmonic Distortion: THD: < 10%
- Power Factor: PF>0.95
- Color Rendering Index: Ra>80
- Beam Angle: 120 degree
- Lumen maintenance @6000h: >97%
- IP Rating: IP65
- Life Span: >50,000 hours
- Warranty: 5 years
- Material: Aluminum + Polycarbonate
- Dimmable: 1-10V / PWM / Resistance / Dali available
- Operation Temperature: -30-+50 celsius degree
- Storage Temperature: -40-+70 celsius degree

## Datasheet

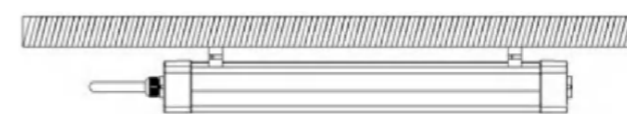
Product Code	Rated Power	Input Voltage	LED Type	CCT	Power Factor	Luminous Flux (LM)	Lumen Efficacy (LM/W)	CRI
LGS-TPLCN-06-20W	20W	AC100-240V	SMD2835	2700-6500K	PF>0.95	2800lm± 10%	140	Ra>80
LGS-TPLCN-09-30W	30W	AC100-240V	SMD2835	2700-6500K	PF>0.95	4200lm± 10%	140	Ra>80
LGS-TPLCN-12-40W	40W	AC100-240V	SMD2835	2700-6500K	PF>0.95	5600lm± 10%	140	Ra>80
LGS-TPLCN-15-50W	50W	AC100-240V	SMD2835	2700-6500K	PF>0.95	7000lm± 10%	140	Ra>80



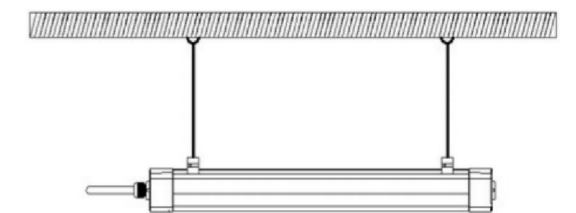
## Measures



## Installation



Ceiling/Wall Mounting



Suspending Mounted

# LED Bulkhead Light



## Features

- Endurable die-casting aluminum housing with good heat dissipation
- Packed with branded LEDs and power supply to ensure the product reliability and life expectancy
- Saving more than 70% energy compared with traditional lighting fixtures
- Adopt dust and moisture proof structure design, with polycarbonate diffuser and stainless steel screws
- IP65 degree protection, 5 years warranty

## Application

- Balcony, kitchen
- Living room, bathroom
- Shopping malls, parking lots
- Corridor and other outdoor lighting

## Technical Features

- Input Voltage: AC100-240V 50/60Hz
- Total Harmonic Distortion: THD: < 10%
- Power Factor: PF>0.9
- Color Rendering Index: Ra>80
- Beam Angle: 120 degree
- Lumen maintenance @6000h: >97%
- IP Rating: IP65
- Life Span: >50,000 hours
- Warranty: 5 years
- Material: Aluminum+Polycarbonate
- Dimmable: 1-10V / PWM / Resistance / Dali available
- Operation Temperature: -25+50 celsius degree
- Storage Temperature: -40+70 celsius degree

## Datasheet

Product Code	Rated Power	Input Voltage	LED Type	CCT	Power Factor	Luminous Flux (LM)	Lumen Efficacy (LM/W)	CRI
LGS-BL01-08W	8W	AC100-240V	SMD2835	2700-6500K	PF>0.9	800lm± 10%	100	Ra>80
LGS-BL01-12W	12W	AC100-240V	SMD2835	2700-6500K	PF>0.9	1260lm± 10%	105	Ra>80
LGS-BL01-18W	18W	AC100-240V	SMD2835	2700-6500K	PF>0.9	1980lm± 10%	110	Ra>80
LGS-BL01-24W	24W	AC100-240V	SMD2835	2700-6500K	PF>0.9	2640lm± 10%	110	Ra>80
LGS-BL01-30W	30W	AC100-240V	SMD2835	2700-6500K	PF>0.9	3600lm± 10%	120	Ra>80
LGS-BL01-50W	50W	AC100-240V	SMD2835	2700-6500K	PF>0.9	6000lm± 10%	120	Ra>80



## Optional Appearance

### Cross



### Grid



### Moon



# LED Wall Pack Light



## Features

- Endurable die-casting aluminum housing with good heat dissipation
- Packed with branded LEDs and power supply to ensure the product reliability and life expectancy
- Saving more than 70% energy compared with traditional lighting fixtures
- Adopt dust and moisture proof structure design, IP65 degree protection
- 5 years warranty

## Application

- Balcony, kitchen
- Living room, bathroom
- Shopping malls, parking lots
- Corridor and other outdoor lighting

## Technical Features

- Input Voltage: AC100-240V 50/60Hz
- Total Harmonic Distortion: THD: < 10%
- Power Factor: PF>0.9
- Color Rendering Index: Ra>80
- Beam Angle: 120 degree
- Lumen maintenance @6000h: >97%
- IP Rating: IP65
- Life Span: >50,000 hours
- Warranty: 5 years
- Material: Aluminum+Polycarbonate
- Dimmable: 1-10V / PWM / Resistance / Dali available
- Operation Temperature: -25-+50 celsius degree
- Storage Temperature: -40-+70 celsius degree

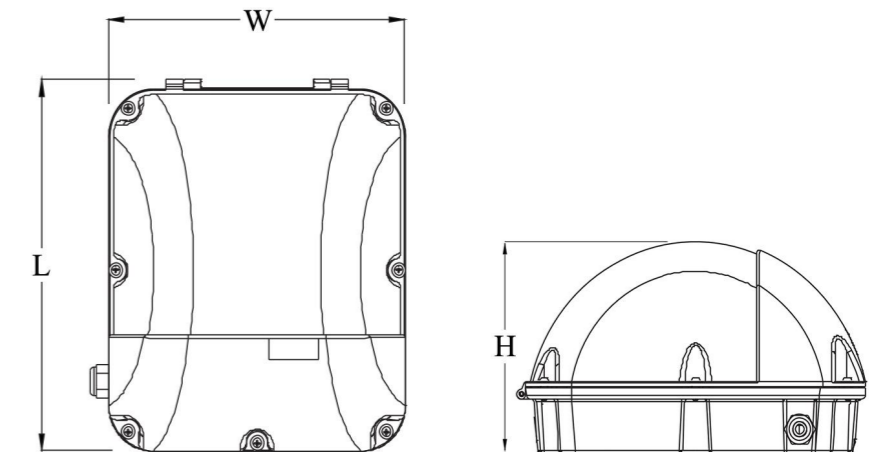
## Datasheet

Product Code	Rated Power	Input Voltage	LED Type	CCT	Power Factor	Luminous Flux (LM)	Lumen Efficacy (LM/W)	CRI
LGS-WPL-20W	20W	AC100-240V	Lumileds 3030	2700-6500K	PF>0.9	2400lm± 10%	120	Ra>80
LGS-WPL-30W	30W	AC100-240V	Lumileds 3030	2700-6500K	PF>0.9	3600lm± 10%	120	Ra>80
LGS-WPL-50W	50W	AC100-240V	Lumileds 3030	2700-6500K	PF>0.9	6000lm± 10%	120	Ra>80

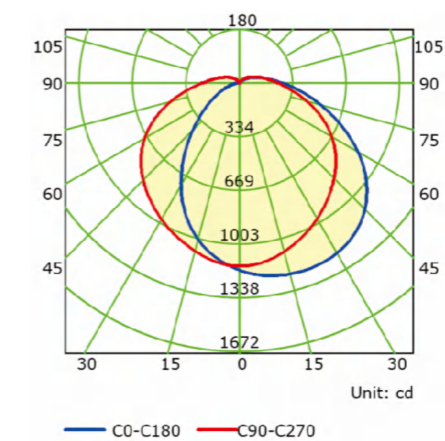


## Dimensions

Power	Measure
20W	L300*W270*H126mm
30W	L300*W270*H180mm
50W	L300*W270*H180mm



## Light Distribution Curve



# Linear LED High Bay Light



## Features

- Innovative thin modularization heat body, air convection design, optimization of air duct, omni-directional three-dimensional heat dissipation, greatly improved thermal performance
- Professional optical lens, multiple beam angles, can meet customers' different requirements
- Waterproof IP65
- Use high quality LED and power supply, to ensure the product reliability and life expectancy
- Multiple-choices brand LED and power supply
- More cost-effective than similar products to meet customers various needs
- 0-10V dimmable/Dali/Motion Sensor/Daylight Sensor available

## Application

- Parking areas Lighting
- Factory Lighting
- Warehouse Lighting
- High/Low Bay Lighting

## Technical Features

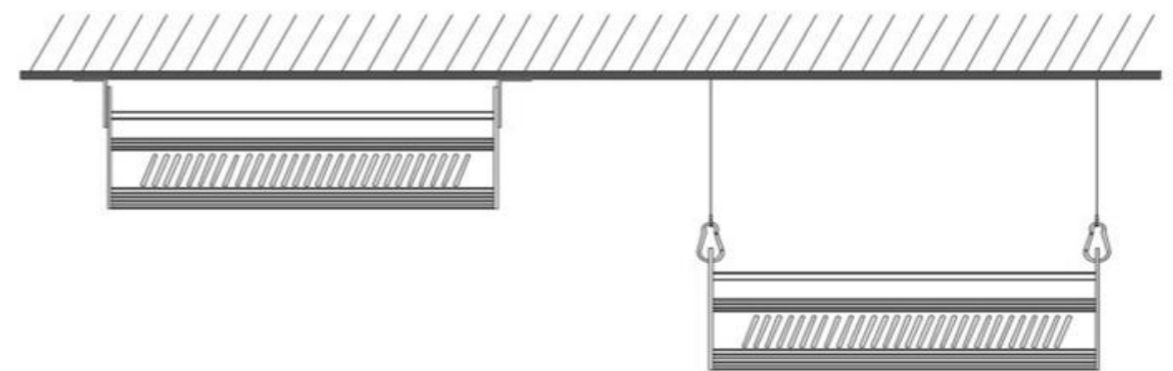
- Input Voltage: AC100-240V 50/60Hz
- Total Harmonic Distortion: THD: < 10%
- Power Factor: PF>0.95
- Color Rendering Index: Ra>80
- Beam Angle: 30/ 60 / 90 / 30\*70 / 60\*90  
60\*120 / 80\*155 degree
- Lumen maintenance @6000h: >97%
- IP Rating: IP65
- Life Span: >50,000 hours
- Warranty: 5 years
- Material: Aluminum + Toughened Glass
- Dimmable: 1-10V / PWM / Resistance / Dali available
- Operation Temperature: -30~+50 celsius degree
- Storage Temperature: -40~+70 celsius degree

## Datasheet

Product Code	Rated Power	Input Voltage	LED Type	Driver	LED Qty	Power Factor	Luminous Flux (LM)	Lumen Efficacy (LM/W)	CRI
LGS-LHL-50W	50W	AC100-240V	Lumileds/Osram SMD3030	Mean Well	56	PF>0.95	6500lm± 10%	130	Ra>80
LGS-LHL-100W	100W	AC100-240V	Lumileds/Osram SMD3030	Mean Well	112	PF>0.95	13000lm± 10%	130	Ra>80
LGS-LHL-150W	150W	AC100-240V	Lumileds/Osram SMD3030	Mean Well	168	PF>0.95	19500lm± 10%	130	Ra>80
LGS-LHL-200W	200W	AC100-240V	Lumileds/Osram SMD3030	Mean Well	224	PF>0.95	26000lm± 10%	130	Ra>80
LGS-LHL-250W	250W	AC100-240V	Lumileds/Osram SMD3030	Mean Well	280	PF>0.95	32500lm± 10%	130	Ra>80
LGS-LHL-300W	300W	AC100-240V	Lumileds/Osram SMD3030	Mean Well	336	PF>0.95	39000lm± 10%	130	Ra>80
LGS-LHL-400W	400W	AC100-240V	Lumileds/Osram SMD3030	Mean Well	448	PF>0.95	52000lm± 10%	130	Ra>80
LGS-LHL-500W	500W	AC100-240V	Lumileds/Osram SMD3030	Mean Well	560	PF>0.95	65000lm± 10%	130	Ra>80



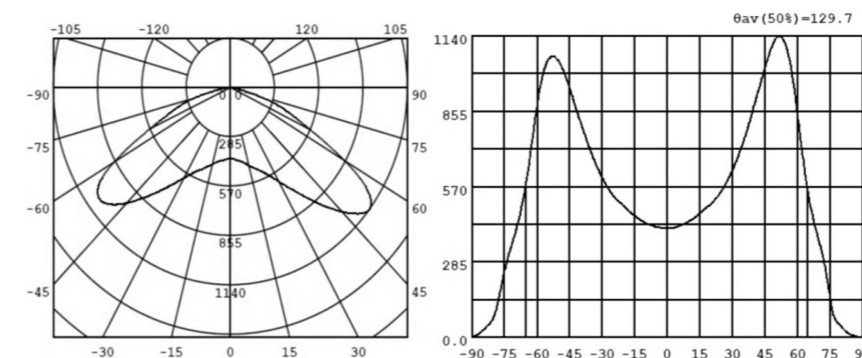
## Installation



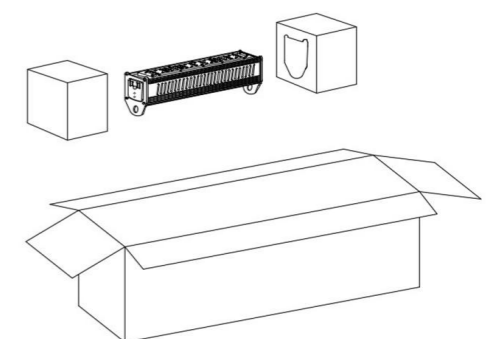
Ceiling/Wall Mounting

Chain Mounting

## Photometry Curve



## Packing



adjustable ± 50 °

Hanging chain

Side bracket

optical lens module

# Apollo LED UFO Highbay Light



## Datasheet

Product Code	Rated Power	Input Voltage	LED Type	Driver	LED Qty	Power Factor	Luminous Flux (LM)	Lumen Efficacy (LM/W)	CRI
LGS-UFOAP-100W	100W	AC100-240V	Osram SMD2835	MW/SS	210	PF>0.95	15000lm± 10%	150	Ra>80
LGS-UFOAP-150W	150W	AC100-240V	Osram SMD2835	MW/SS	300	PF>0.95	22500lm± 10%	150	Ra>80
LGS-UFOAP-200W	200W	AC100-240V	Osram SMD2835	MW/SS	375	PF>0.95	30000lm± 10%	150	Ra>80
LGS-UFOAP-240W	240W	AC100-240V	Osram SMD2835	MW/SS	430	PF>0.95	36000lm± 10%	150	Ra>80



## Features

- Light and small UFO structure greatly shorten the packing space and save the freight
- Use high quality LED and power supply, to ensure the product reliability and life expectancy
- Adopt dust and waterproof structure design, waterproof level IP65
- High lighting efficiency LEDs, lumen efficiency up to 150LM/W of the entire lamp
- Aluminum profile and toughened glass, high impact resistance
- 0-10V dimmable/Dali/Motion Sensor/Daylight Sensor available
- 5 Years Warranty

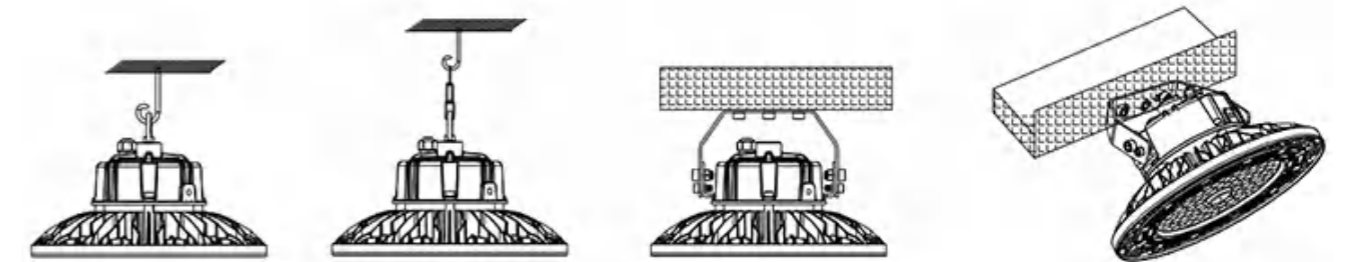
## Application

- Industrial Lighting
- Ceiling Lighting
- Warehouse Lighting
- High/Low Bay Lighting

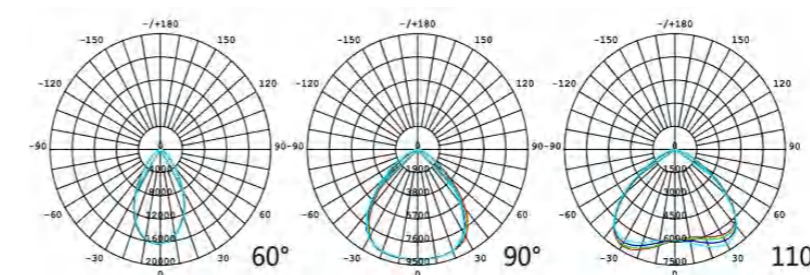
## Technical Features

- Input Voltage: AC100-240V 50/60Hz
- Total Harmonic Distortion: THD: < 10%
- Power Factor: PF>0.95
- Color Rendering Index: Ra>80
- Beam Angle: 60 / 90 / 110 degree
- Lumen maintenance @6000h: >97%
- IP Rating: IP65
- Life Span: >50,000 hours
- Warranty: 5 years
- Material: Aluminum + Optical Glass
- Dimmable: 1-10V / PWM / Resistance / Dali available
- Operation Temperature: -30~+50 celsius degree
- Storage Temperature: -40~+70 celsius degree

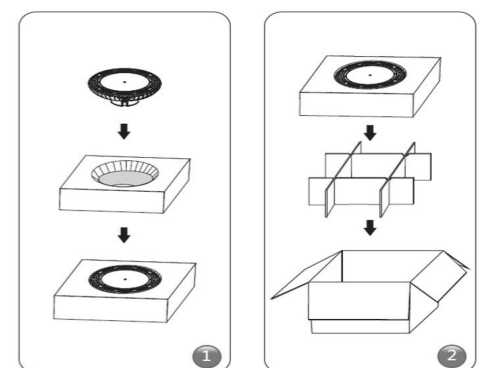
## Installation



## Photometry Curve



## Packing



# Victory LED UFO Highbay Light



## Features

- Light and small UFO structure design, greatly shorten the packing space, save delivery and strage cost
- Use high quality LEDs and power supply, to ensure the product reliability and life expectancy
- Adopt dust and waterproof structure design, waterproof level IP65
- High lighting efficiency LEDs, lumen efficiency up to 190LM/W of the entire lamp
- Die-cast aluminum housing and polycarbonate lens, professional light distribution for various applications
- Available with plug and play motion sensor, save more energy
- 0-10V dimmable/Dali/Motion Sensor/Daylight Sensor available
- 5 Years Warranty

## Application

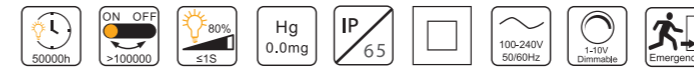
- Industrial Lighting
- Ceiling Lighting
- Warehouse Lighting
- High/Low Bay Lighting

## Technical Features

- Input Voltage: AC100-240V 50/60Hz
- Total Harmonic Distortion: THD: < 10%
- Power Factor: PF>0.95
- Color Rendering Index: Ra>80
- Beam Agnle: 60 / 90 / 120 degree
- Lumen maintenance @6000h: >97%
- IP Rating: IP65
- Life Span: >50,000 hours
- Warranty: 5 years
- Material: Aluminum + Polycarbonate lens
- Dimmable: 1-10V / PWM / Resistance / Dali available
- Operation Temperature: -30~+50 celsius degree
- Storage Temperature: -40~+70 celsius degree

## Datasheet

Product Code	Rated Power	Input Voltage	LED Type	Driver Brand	Power Factor	Luminous Flux (LM)	Lumen Efficacy (LM/W)	CRI
LGS-UFOA-100W	100W	AC100-240V	SMD3035	Meanwell/Philips/Sosen	PF>0.95	19000lm± 10%	190	Ra>70
LGS-UFOA-150W	150W	AC100-240V	SMD3035	Meanwell/Philips/Sosen	PF>0.95	28500lm± 10%	190	Ra>70
LGS-UFOA-200W	200W	AC100-240V	SMD3035	Meanwell/Philips/Sosen	PF>0.95	38000lm± 10%	190	Ra>70
LGS-UFOA-240W	240W	AC100-240V	SMD3035	Meanwell/Philips/Sosen	PF>0.95	45600lm± 10%	190	Ra>70



## Optional Accessories

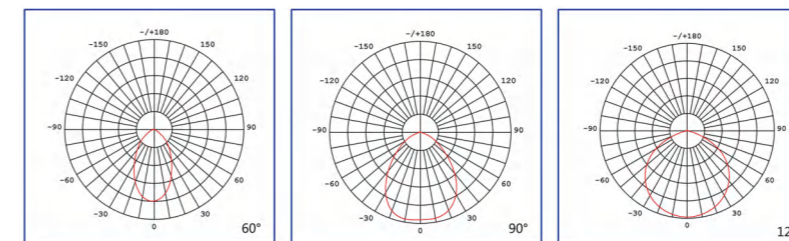


Motion Sensor

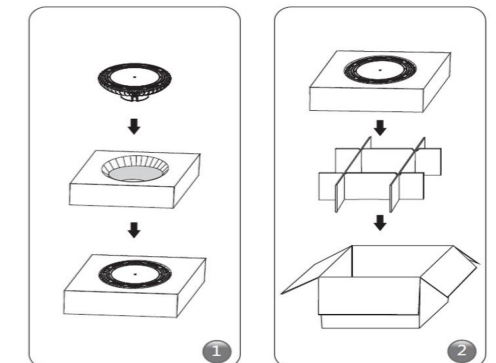


Reflector

## Photometry Curve



## Packing



# Nebula LED UFO Highbay Light



## Features

- Light and small UFO structure design, greatly shorten the packing space, save delivery and strage cost
- Use high quality LEDs and power supply, to ensure the product reliability and life expectancy
- Adopt dust and waterproof structure design, waterproof level IP65
- High lighting efficiency LEDs, lumen efficiency up to 150LM/W of the entire lamp
- Die-cast aluminum housing and polycarbonate lens, professional light distribution for various applications
- Available with plug and play motion sensor, save more energy
- 0-10V dimmable/Dali/Motion Sensor/Daylight Sensor available
- 5 Years Warranty

## Application

- Industrial Lighting
- Ceiling Lighting
- Warehouse Lighting
- High/Low Bay Lighting

## Technical Features

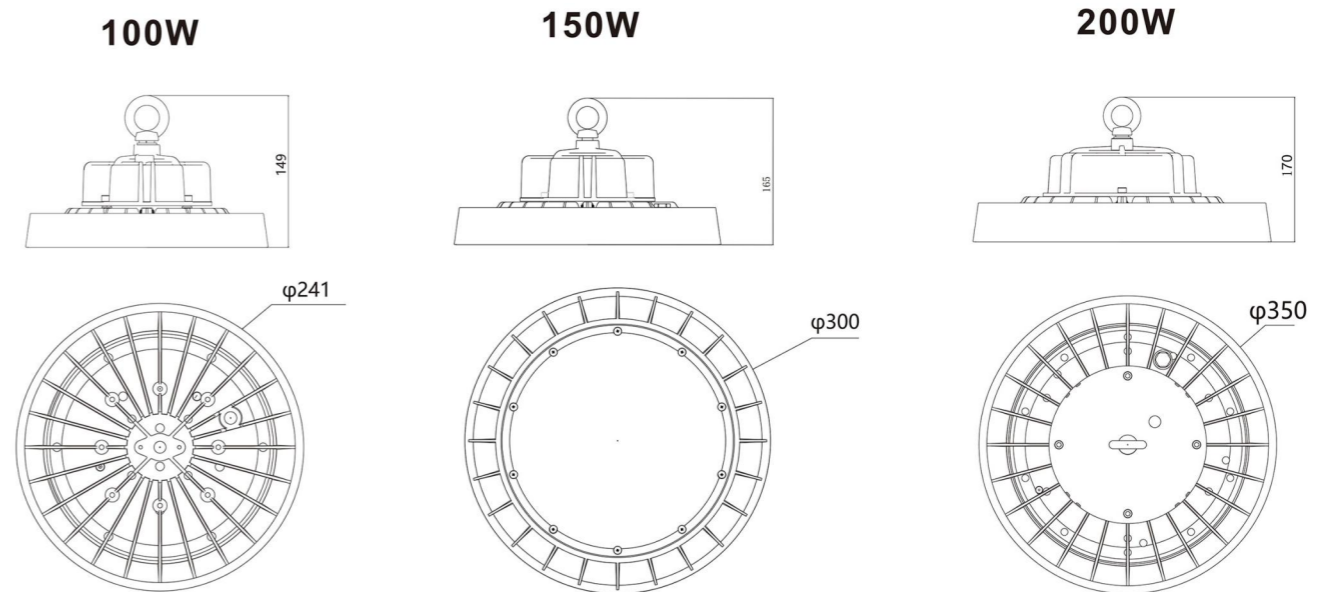
- Input Voltage: AC100-240V 50/60Hz
- Total Harmonic Distortion: THD: < 10%
- Power Factor: PF>0.95
- Color Rendering Index: Ra>80
- Beam Agnle: 60 / 90 / 120 degree
- Lumen maintenance @6000h: >97%
- IP Rating: IP65
- Life Span: >50,000 hours
- Warranty: 5 years
- Material: Aluminum + Polycarbonate lens
- Dimmable: 1-10V / PWM / Resistance / Dali available
- Operation Temperature: -30~+50 celsius degree
- Storage Temperature: -40~+70 celsius degree

## Datasheet

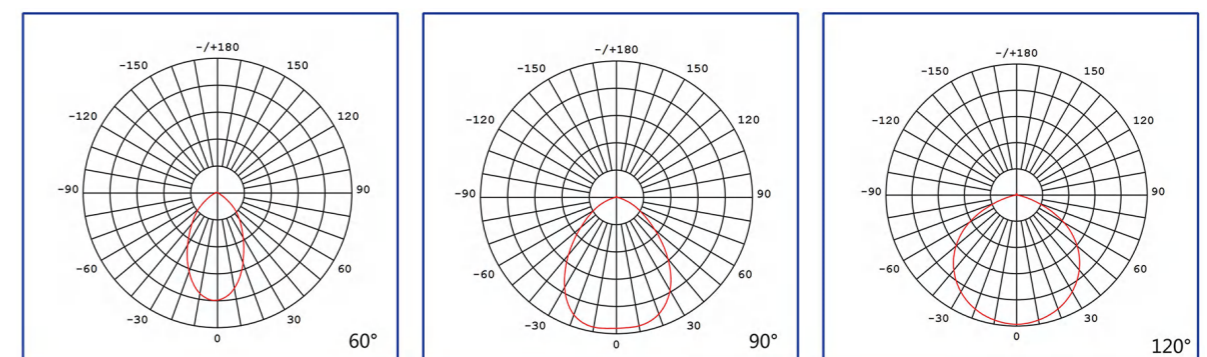
Product Code	Rated Power	Input Voltage	LED Type	Driver Brand	Power Factor	Luminous Flux (LM)	Lumen Efficacy (LM/W)	CRI
LGS-UFONB-100W	100W	AC100-240V	SMD2835	Meanwell/Philips/Sosen	PF>0.95	15000lm± 10%	150	Ra>70
LGS-UFONB-150W	150W	AC100-240V	SMD2835	Meanwell/Philips/Sosen	PF>0.95	22500lm± 10%	150	Ra>70
LGS-UFONB-200W	200W	AC100-240V	SMD2835	Meanwell/Philips/Sosen	PF>0.95	30000lm± 10%	150	Ra>70



## Dimensions



## Photometry Curve



# Fancy LED UFO Highbay Light



## Features

- Light and small UFO structure design, greatly shorten the packing space, save delivery and strage costs
- Packed with branded LEDs and power supply, to ensure the product reliability and life expectancy
- Adopt dust and waterproof structure design, waterproof level IP65
- High lighting efficiency LEDs, lumen efficiency up to 190LM/W of the entire lamp
- Die-cast aluminum housing and polycarbonate lens, professional light distribution for various applications
- Available with motion sensor, dimmable, etc to save more energy
- 5 Years Warranty

## Application

- Industrial Lighting
- Ceiling Lighting
- Warehouse Lighting
- High/Low Bay Lighting

## Technical Features

- Input Voltage: AC100-240V 50/60Hz
- Total Harmonic Distortion: THD: < 10%
- Power Factor: PF>0.95
- Color Rendering Index: Ra>80
- Beam Agnle: 60 / 90 / 120 degree
- Lumen maintenance @6000h: >97%
- IP Rating: IP65
- Life Span: >50,000 hours
- Warranty: 5 years
- Material: Aluminum + Polycarbonate lens
- Dimmable: 1-10V / PWM / Resistance / Dali available
- Operation Temperature: -30~+50 celsius degree
- Storage Temperature: -40~+70 celsius degree

## Datasheet

Product Code	Rated Power	Input Voltage	LED Type	Driver Brand	Power Factor	Luminous Flux (LM)	Lumen Efficacy (LM/W)	CRI
LGS-UFOFC-100W	100W	AC100-240V	SMD2835	Meanwell/Philips/Sosen	PF>0.95	15000lm± 10%	150(190 optional)	Ra>80
LGS-UFOFC-150W	150W	AC100-240V	SMD2835	Meanwell/Philips/Sosen	PF>0.95	22500lm± 10%	150(190 optional)	Ra>80
LGS-UFOFC-200W	200W	AC100-240V	SMD2835	Meanwell/Philips/Sosen	PF>0.95	30000lm± 10%	150(190 optional)	Ra>80
LGS-UFOFC-240W	240W	AC100-240V	SMD2835	Meanwell/Philips/Sosen	PF>0.95	36000lm± 10%	150(190 optional)	Ra>80
LGS-UFOFC-300W	300W	AC100-240V	SMD2835	Meanwell/Philips/Sosen	PF>0.95	45000lm± 10%	150(190 optional)	Ra>80



## Accessory

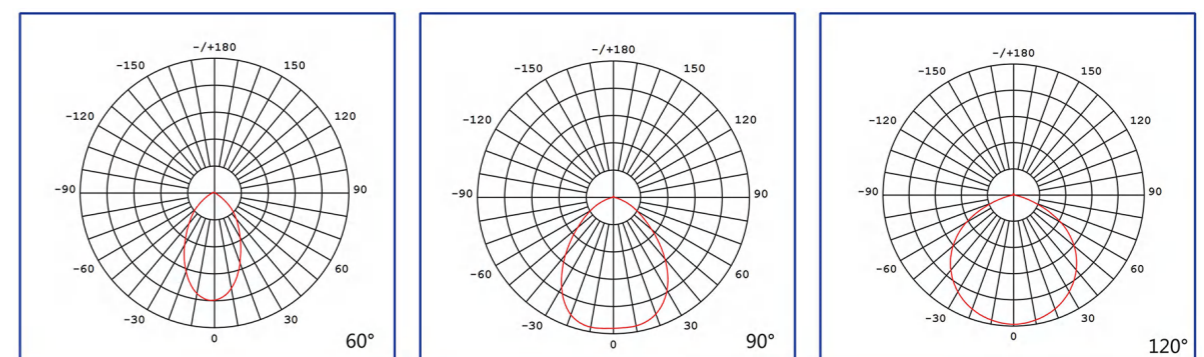


Reflector



Emergency power kits

## Photometry Curve





# Omni LED Highbay Light



## Features

- One light for LED high bay light, flood light and street light, very flexible for multiple applications
- Packed with top reputed branded LEDs and power supply, to ensure the product reliability and life expectancy
- Adopt dust and waterproof structure design, waterproof level IP65
- High lighting efficiency LEDs, lumen efficiency up to 130LM/W of the entire lamp
- Die-cast aluminum housing and polycarbonate lens, professional light distribution for various applications
- Available with motion sensor, dimmable, etc to save more energy
- 5 Years Warranty

## Application

- Industrial lighting, warehouse lighting
- Parking areas lighting, street & highways lighting
- Park and Statue, exhibition hall
- Pubic square and passage stadium and gymnasium

## Technical Features

- Input Voltage: AC100-240V 50/60Hz
- Total Harmonic Distortion: THD: < 10%
- Power Factor: PF>0.95
- Color Rendering Index: Ra>80
- Beam Angle: 10/25/45/60/90/120/20x50/30x70 degree
- Lumen maintenance @6000h: >97%
- IP Rating: IP65
- Life Span: >50,000 hours
- Warranty: 5 years
- Material: Aluminum + PC lens+Tempered glass
- Dimmable: 1-10V / PWM / Resistance / Dali available
- Operation Temperature: -30~+50 celsius degree
- Storage Temperature: -40~+70 celsius degree

## Datasheet

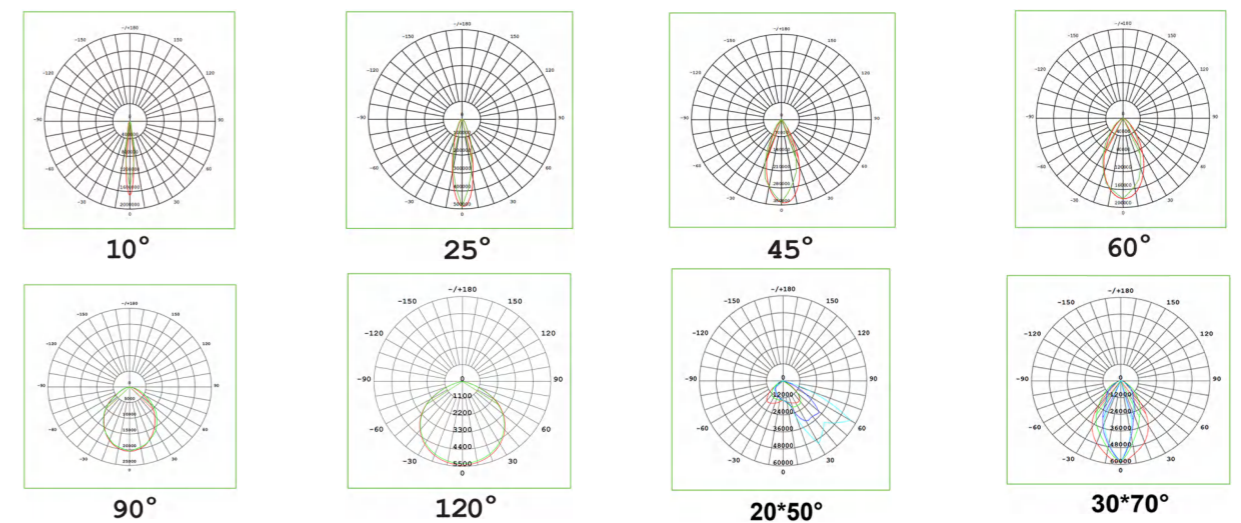
Product Code	Rated Power	Input Voltage	LED Type	Driver Brand	Power Factor	Luminous Flux (LM)	Lumen Efficacy (LM/W)	CRI
LGS-HBO-100W	100W	AC100-240V	SMD2835	Meanwell/Philips/Sosen	PF>0.95	13000lm± 10%	130	Ra>80
LGS-HBO-150W	150W	AC100-240V	SMD2835	Meanwell/Philips/Sosen	PF>0.95	19500lm± 10%	130	Ra>80
LGS-HBO-200W	200W	AC100-240V	SMD2835	Meanwell/Philips/Sosen	PF>0.95	26000lm± 10%	130	Ra>80



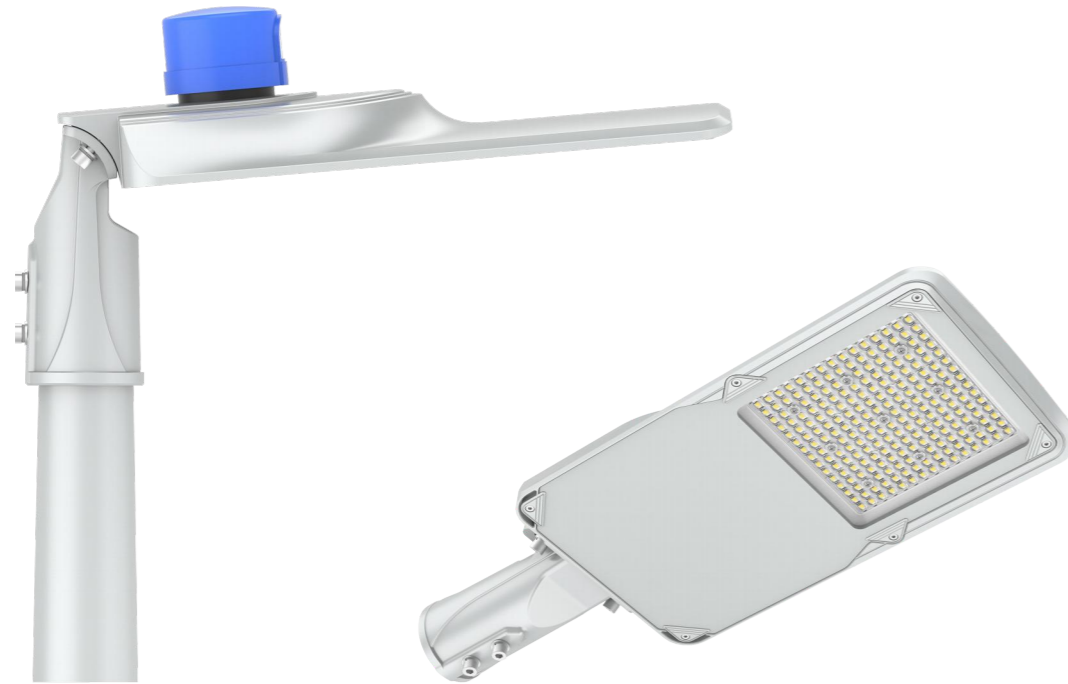
## Installation



## Photometry Curve



# Stellar LED Street Light



## Features

- Die-casting technology with ADC12 aluminum, excellent thermal management and balance the internal & external temperature, reduce chip Tj and light decay, prolong lifetime
- Packed with branded driver, overheat protection, high convert efficiency, high PF & surge protection, optional with dimming and photocell sensor
- Optical UV resistant polycarbonate lens and tempered glass cover, IK08, high light efficiency up to 140lm/w
- IP66 degree dust and waterproof protection, to meet all kinds of harsh outdoor environments
- Professional light distributions with various beam angles available

## Application

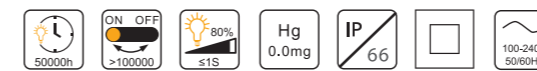
- Parking areas Lighting
- Street Lighting
- Highways
- Other outdoor lighting

## Technical Features

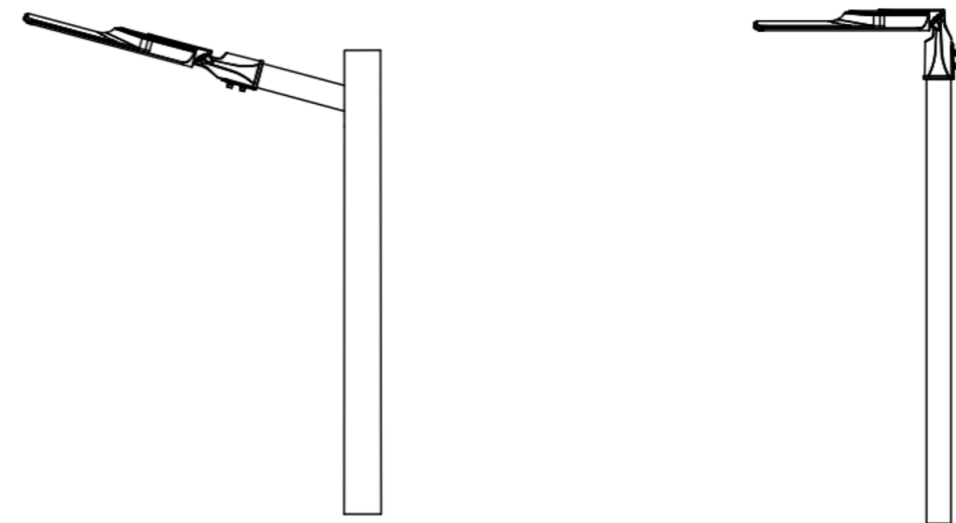
- Input Voltage: AC100-240V 50/60Hz
- Total Harmonic Distortion: THD: < 10%
- Power Factor: PF>0.95
- Color Rendering Index: Ra>80
- Beam Angle: T2/T3/T4
- Lumen maintenance @6000h: >97%
- IP Rating: IP66
- Life Span: >50,000 hours
- Warranty: 5 years
- Material: Aluminum + PC lens+Tempered Glass
- Dimmable: 1-10V / PWM / Resistance / DALI available
- Operation Temperature: -30--+50 celsius degree
- Storage Temperature: -40--+70 celsius degree

## Datasheet

Product Code	Rated Power	Input Voltage	LED Type	CCT	Power Factor	Luminous Flux (LM)	Lumen Efficacy (LM/W)	CRI
LGS-SLSE-50W	50W	AC100-240V	SMD2835	2700-6500K	PF>0.95	7000lm± 10%	140	Ra>80
LGS-SLSE-100W	100W	AC100-240V	SMD2835	2700-6500K	PF>0.95	14000lm± 10%	140	Ra>80
LGS-SLSE-150W	150W	AC100-240V	SMD2835	2700-6500K	PF>0.95	21000lm± 10%	140	Ra>80
LGS-SLSE-200W	200W	AC100-240V	SMD2835	2700-6500K	PF>0.95	28000lm± 10%	140	Ra>80
LGS-SLSE-240W	240W	AC100-240V	SMD2835	2700-6500K	PF>0.95	33600lm± 10%	140	Ra>80



## Installation



## Optional Accessories



10KV Surge Protector



Photocell

# Iris LED Street Light



## Features

- Die-casting technology with ADC12 aluminum, excellent thermal management and balance the internal & external temperature, reduce chip Tj and light decay, prolong lifetime
- Packed with branded driver, overheat protection, high convert efficiency, high PF & surge protection, optional with dimming and photocell sensor
- Optical UV resistant polycarbonate lens with 94% light transmittance, IK08, high light efficiency up to 140lm/w
- IP66 degree dust and waterproof protection, to meet all kinds of harsh outdoor environments
- Available with pole mounted and wall mounted installation

## Application

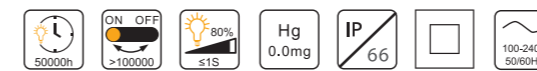
- Parking areas Lighting
- Street Lighting
- Highways
- Other outdoor lighting

## Technical Features

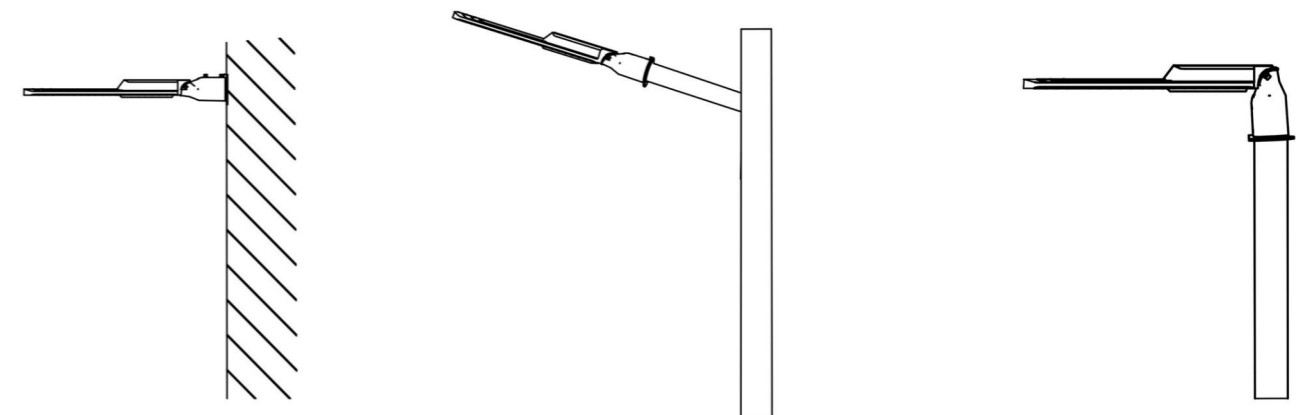
- Input Voltage: AC100-240V 50/60Hz
- Total Harmonic Distortion: THD: < 10%
- Power Factor: PF>0.95
- Color Rendering Index: Ra>80
- Beam Angle: 70\*140 degree
- Lumen maintenance @6000h: >97%
- IP Rating: IP66
- Life Span: >50,000 hours
- Warranty: 5 years
- Material: Aluminum Housing + Polycarbonate lens
- Dimmable: 1-10V / PWM / Resistance / DALI available
- Operation Temperature: -30-+50 celsius degree
- Storage Temperature: -40-+70 celsius degree

## Datasheet

Product Code	Rated Power	Input Voltage	LED Type	CCT	Power Factor	Luminous Flux (LM)	Lumen Efficacy (LM/W)	CRI
LGS-SLIR-30W	30W	AC100-240V	SMD2835	2700-6500K	PF>0.95	4200lm± 10%	140	Ra>80
LGS-SLIR-50W	50W	AC100-240V	SMD2835	2700-6500K	PF>0.95	7000lm± 10%	140	Ra>80
LGS-SLIR-100W	100W	AC100-240V	SMD2835	2700-6500K	PF>0.95	14000lm± 10%	140	Ra>80
LGS-SLIR-150W	150W	AC100-240V	SMD2835	2700-6500K	PF>0.95	21000lm± 10%	140	Ra>80
LGS-SLIR-200W	200W	AC100-240V	SMD2835	2700-6500K	PF>0.95	28000lm± 10%	140	Ra>80



## Installation



Wall Mounted

Pole Mounted

Pole Mounted

## Optional Accessories



10KV Surge Protector



Photocell

# Elfin LED Flood Light



## Features

- Optimized aluminum alloy housing design for superior thermal management
- High mechanical impact resistance and ingress protection, IP66 structural waterproof design
- Use high quality branded LEDs and power supply to ensure the product reliability and life expectancy
- Professional light distribution with different beam angles are optional for your various applications
- Clear tempered glass decrease risk of lamp breaking for strong industrial applications
- Compact in size and easy for transportation

## Application

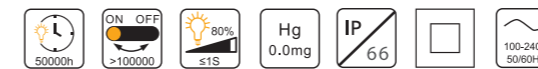
- Parking areas lighting
- Pubic square and passage
- Stadium and gymnasium
- Park and Statue
- Exhibition hall

## Technical Features

- Input Voltage: AC100-240V 50/60Hz
- Total Harmonic Distortion: THD: < 10%
- Power Factor: PF>0.95
- Color Rendering Index: Ra>80
- Beam Angle: 10/25/45/60/90/120/70\*150 degree
- Lumen maintenance @6000h: >97%
- IP Rating: IP66
- Life Span: >50,000 hours
- Warranty: 5 years
- Material: Aluminum + Tempered Glass
- Dimmable: 1-10V / PWM / Resistance / Dali available
- Operation Temperature: -30~+50 celsius degree
- Storage Temperature: -40~+70 celsius degree

## Datasheet

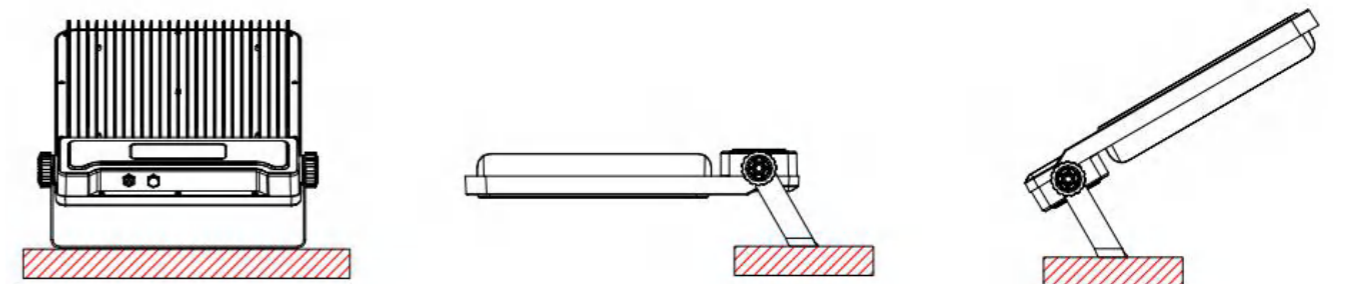
Product Code	Rated Power	Input Voltage	LED Type	CCT	Power Factor	Luminous Flux (LM)	Lumen Efficacy (LM/W)	CRI	Dimensions (mm)
LGS-FLEF-10W	10W	AC100-240V	SMD2835	2700-6500K	PF>0.55	1100lm± 10%	110	Ra>80	L159*W127*H44
LGS-FLEF-20W	20W	AC100-240V	SMD2835	2700-6500K	PF>0.55	2200lm± 10%	110	Ra>80	L188*W147*H44
LGS-FLEF-30W	30W	AC100-240V	SMD2835	2700-6500K	PF>0.90	3600lm± 10%	120	Ra>80	L242*W193*H46
LGS-FLEF-50W	50W	AC100-240V	SMD2835	2700-6500K	PF>0.95	6000lm± 10%	120	Ra>80	L293*W237*H47
LGS-FLEF-100W	100W	AC100-240V	SMD2835	2700-6500K	PF>0.95	12000lm± 10%	120	Ra>80	L344*W280*H55
LGS-FLEF-150W	150W	AC100-240V	SMD2835	2700-6500K	PF>0.95	18000lm± 10%	120	Ra>80	L424*W320*H61
LGS-FLEF-200W	200W	AC100-240V	SMD2835	2700-6500K	PF>0.95	24000lm± 10%	120	Ra>80	L476*W366*H63
LGS-FLEF-300W	300W	AC100-240V	SMD2835	2700-6500K	PF>0.95	36000lm± 10%	120	Ra>80	L569*W407*H70



## Features



## Installation



# Juno LED Flood Light



## Features

- Optimized aluminum alloy housing design for superior thermal management
- High mechanical impact resistance and ingress protection, applicable for various applications
- Packed with top reputed branded LEDs and power supply to ensure the product reliability and life expectancy
- Optical lens with professional light distribution, meet your different lighting applications
- Clear tempered glass decrease risk of lamp breaking for strong industrial applications
- Compact in size and easy for transportation
- Long life time over 50,000 hours, 5 years warranty

## Application

- Parking areas lighting
- Pubic square and passage
- Stadium and gymnasium
- Park and Statue
- Exhibition hall

## Technical Features

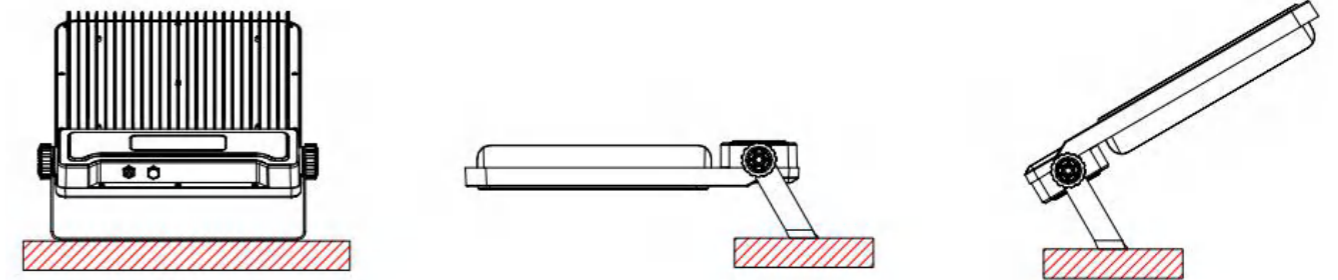
- Input Voltage: AC100-240V 50/60Hz
- Total Harmonic Distortion: THD: < 10%
- Power Factor: PF>0.95
- Color Rendering Index: Ra>80
- Beam Angle: 30/60/90/120/70\*150 degree
- Lumen maintenance @6000h: >97%
- IP Rating: IP65
- Life Span: >50,000 hours
- Warranty: 5 years
- Material: Aluminum Housing + Polycarbonate Lens + Tempered Glass
- Dimmable: 1-10V / PWM / Resistance / Dali available
- Operation Temperature: -30--+50 celsius degree
- Storage Temperature: -40--+70 celsius degree

## Datasheet

Product Code	Rated Power	Input Voltage	LED Type	CCT	Power Factor	Luminous Flux (LM)	Lumen Efficacy (LM/W)	CRI	Dimensions (mm)
LGS-FLJN-100W	100W	AC100-240V	SMD2835	2700-6500K	PF>0.95	1300lm± 10%	130	Ra>80	L336*W290*H53
LGS-FLJN-150W	150W	AC100-240V	SMD2835	2700-6500K	PF>0.55	19500lm± 10%	130	Ra>80	L390*W320*H53
LGS-FLJN-200W	200W	AC100-240V	SMD2835	2700-6500K	PF>0.90	26000lm± 10%	130	Ra>80	L433*W353*H58
LGS-FLJN-240W	240W	AC100-240V	SMD2835	2700-6500K	PF>0.95	31200lm± 10%	130	Ra>80	L483*W385*H60



## Installation



# Slim LED Flood Light

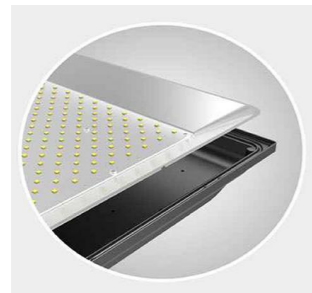


## Features

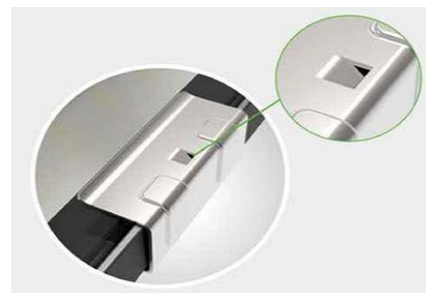
- Fashionable ultra thin fairshaped appearance design, whole aluminum cooling structure
- Innovative G-buckle technology to prevent glass off, easy for installation
- Use high quality LED and power supply to ensure the product reliability and life expectancy
- Multiple-choices brands LED and power supply
- Waterproof IP65

## Application

- Parking areas lighting
- Public square and passage
- Stadium and gymnasium
- Park and Statue
- Exhibition hall



Reflector and heatsink integrated



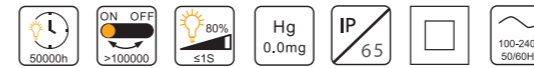
Innovative G-buckle technology

## Technical Features

- Input Voltage: AC100-240V 50/60Hz
- Total Harmonic Distortion: THD: < 10%
- Power Factor: PF>0.95
- Color Rendering Index: Ra>80
- Beam Angle: 120 degree
- Lumen maintenance @6000h: >97%
- IP Rating: IP65
- Life Span: >50,000 hours
- Warranty: 5 years
- Material: Aluminum + Toughened Glass
- Dimmable: 1-10V / PWM / Resistance / Dali available
- Operation Temperature: -30-+50 celsius degree
- Storage Temperature: -40-+70 celsius degree

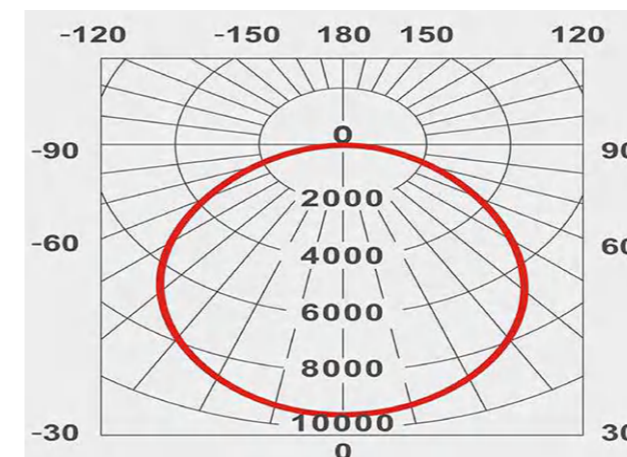
## Datasheet

Product Code	Rated Power	Input Voltage	LED Type	CCT	LED Qty	Power Factor	Luminous Flux (LM)	Lumen Efficacy (LM/W)	CRI
LGS-FL-TG3B-1	10W	AC100-240V	SMD3030	2700-6500K	10	PF>0.95	1000lm± 10%	100	Ra>70
LGS-FL-TG3B-2	20W	AC100-240V	SMD3030	2700-6500K	20	PF>0.95	2200lm± 10%	110	Ra>70
LGS-FL-TG3B-3	30W	AC100-240V	SMD3030	2700-6500K	30	PF>0.95	3450lm± 10%	115	Ra>70
LGS-FL-TG3B-4	50W	AC100-240V	SMD3030	2700-6500K	50	PF>0.95	5750lm± 10%	115	Ra>70
LGS-FL-TG3B-5	80W	AC100-240V	SMD3030	2700-6500K	80	PF>0.95	9600lm± 10%	120	Ra>70
LGS-FL-TG3B-6	100W	AC100-240V	SMD3030	2700-6500K	100	PF>0.95	12000lm± 10%	120	Ra>70
LGS-FL-TG3B-7	150W	AC100-240V	SMD3030	2700-6500K	150	PF>0.95	18000lm± 10%	120	Ra>70
LGS-FL-TG3B-8	200W	AC100-240V	SMD3030	2700-6500K	240	PF>0.95	25000lm± 10%	125	Ra>70

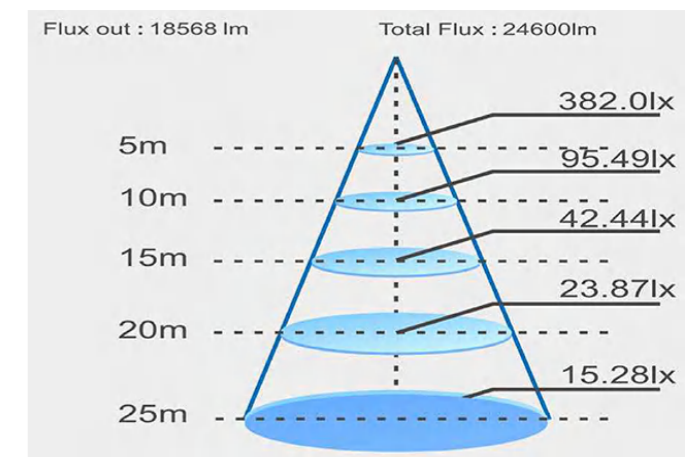


## Photometric Curve

200W LED Flood Light Distribution Curve



200W LED Flood Light Illumination



# Carina LED Flood Light



## Features

- Optimized die-casting aluminum housing design for superior thermal management
- High mechanical impact resistance and ingress protection, IP66 structural waterproof design
- Packed with top branded LEDs and power supply to ensure the product reliability and life expectancy
- Professional light distribution with different beam angles are optional for your various applications
- Clear tempered glass cover decrease risk of lamp breaking for strong industrial applications
- Compact in size and easy for transportation
- Long life time over 50,000 hours, 5 years warranty

## Technical Features

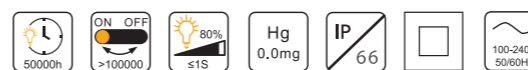
- Input Voltage: AC100-240V 50/60Hz
- Total Harmonic Distortion: THD: < 10%
- Power Factor: PF>0.95
- Color Rendering Index: Ra>80
- Beam Angle: 30/60/90/120/70\*150 degree
- Lumen maintenance @6000h: >97%
- IP Rating: IP66
- Life Span: >50,000 hours
- Warranty: 5 years
- Material: Aluminum+Polycarbonate lens+Tempered glass
- Dimmable: 1-10V / PWM / Resistance / Dali available
- Operation Temperature: -30+50 celsius degree
- Storage Temperature: -40+70 celsius degree

## Application

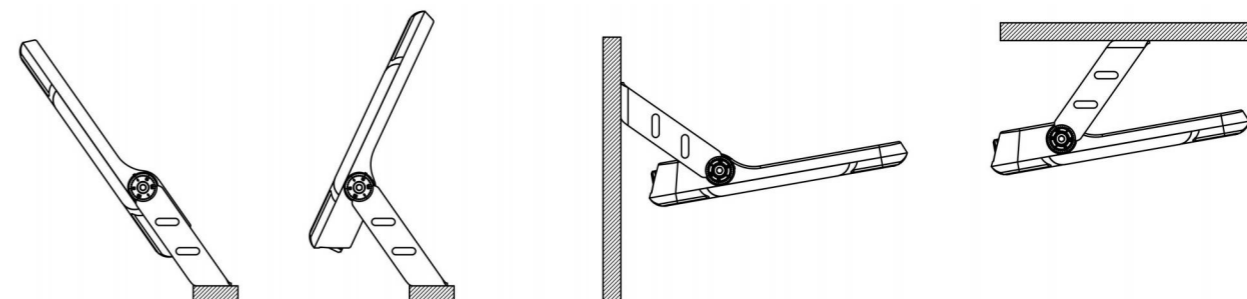
- Tunnels and work shop
- Pubic square and passage
- Stadium and gymnasium
- Park and Statue

## Datasheet

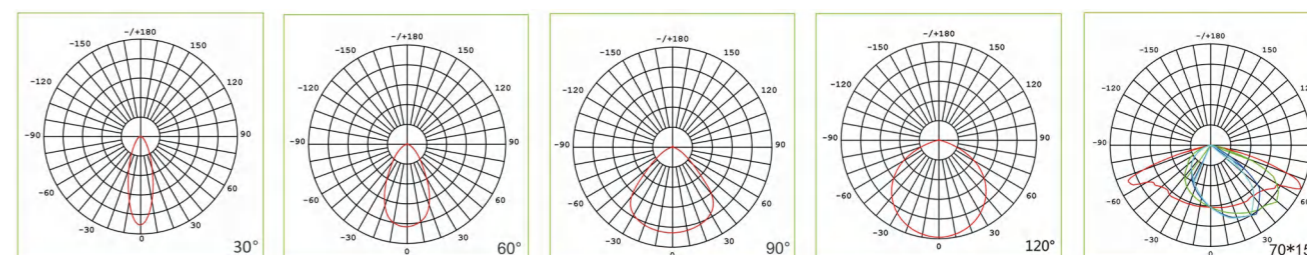
Product Code	Rated Power	Input Voltage	LED Type	CCT	Power Factor	Luminous Flux (LM)	Lumen Efficacy (LM/W)	CRI
LGS-FLCR-30W	30W	AC100-240V	SMD2835	2700-6500K	PF>0.95	4500lm± 10%	150	Ra>80
LGS-FLCR-50W	50W	AC100-240V	SMD2835	2700-6500K	PF>0.95	7500lm± 10%	150	Ra>80
LGS-FLCR-100W	100W	AC100-240V	SMD2835	2700-6500K	PF>0.95	15000lm± 10%	150	Ra>80
LGS-FLCR-150W	150W	AC100-240V	SMD2835	2700-6500K	PF>0.95	22500lm± 10%	150	Ra>80
LGS-FLCR-200W	200W	AC100-240V	SMD2835	2700-6500K	PF>0.95	30000lm± 10%	150	Ra>80
LGS-FLCR-300W	300W	AC100-240V	SMD2835	2700-6500K	PF>0.95	45000lm± 10%	150	Ra>80
LGS-FLCR-500W	500W	AC100-240V	SMD2835	2700-6500K	PF>0.95	75000lm± 10%	150	Ra>80



## Installation



## Photometric Curve



# Diamond LED Tunnel Light



## Features

- Die-cast Aluminum heat sinking: concise appearance, excellent thermal management and compact structure
- Embedded cable raceway: optimized cable layout
- Packed with reputed brand top quality LEDs and power supply to ensure the product reliability and life expectancy, 5 years warranty
- Tempered glass cover, achieves IK08 and apply in harsh conditions
- Professional light distribution with different beam angles for various applications
- IP66 structural dust and waterproof design
- 4mm thickness arm and brackets, anti-typhoon rating 17
- Racked angle, achieves precise installation

## Application

- Tunnels and work shop
- Pubic square and passage
- Stadium and gymnasium
- Park and Statue

## Technical Features

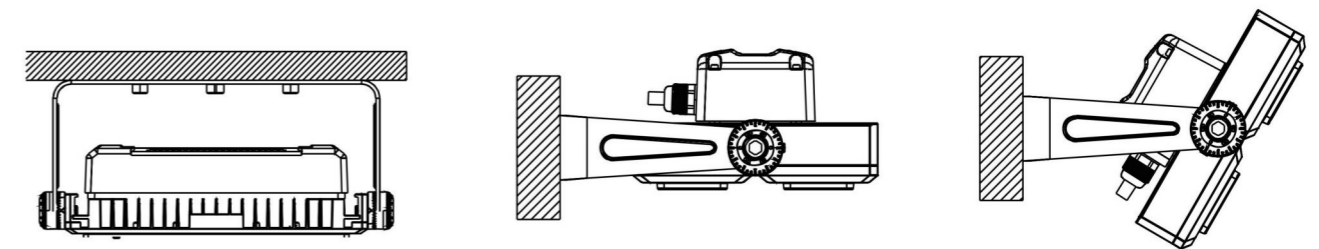
- Input Voltage: AC100-240V 50/60Hz
- Total Harmonic Distortion: THD: < 10%
- Power Factor: PF>0.95
- Color Rendering Index: Ra>80
- Beam Angle: 25/45/60/90/80\*150/90\*120 degree
- Lumen maintenance @6000h: >97%
- IP Rating: IP66
- Life Span: >50,000 hours
- Warranty: 5 years
- Material: Aluminum+Polycarbonate lens+Tempered glass
- Dimmable: 1-10V / PWM / Resistance / Dali available
- Operation Temperature: -25-+50 celsius degree
- Storage Temperature: -40-+70 celsius degree

## Datasheet

Product Code	Rated Power	Input Voltage	LED Type	CCT	Power Factor	Luminous Flux (LM)	Lumen Efficacy (LM/W)	CRI
LGS-HMLDA-50W	50W	AC100-240V	Osram 2835	2700-6500K	PF>0.95	7000lm± 10%	140	Ra>80
LGS-HMLDA-100W	100W	AC100-240V	Osram 2835	2700-6500K	PF>0.95	14000lm± 10%	140	Ra>80
LGS-HMLDA-150W	150W	AC100-240V	Osram 2835	2700-6500K	PF>0.95	21000lm± 10%	140	Ra>80
LGS-HMLDA-200W	200W	AC100-240V	Osram 2835	2700-6500K	PF>0.95	28000lm± 10%	140	Ra>80
LGS-HMLDA-250W	250W	AC100-240V	Osram 2835	2700-6500K	PF>0.95	35000lm± 10%	140	Ra>80
LGS-HMLDA-400W	400W	AC100-240V	Osram 2835	2700-6500K	PF>0.95	56000lm± 10%	140	Ra>80
LGS-HMLDA-500W	500W	AC100-240V	Osram 2835	2700-6500K	PF>0.95	70000lm± 10%	140	Ra>80



## Installations





# Aurora LED High Mast Light

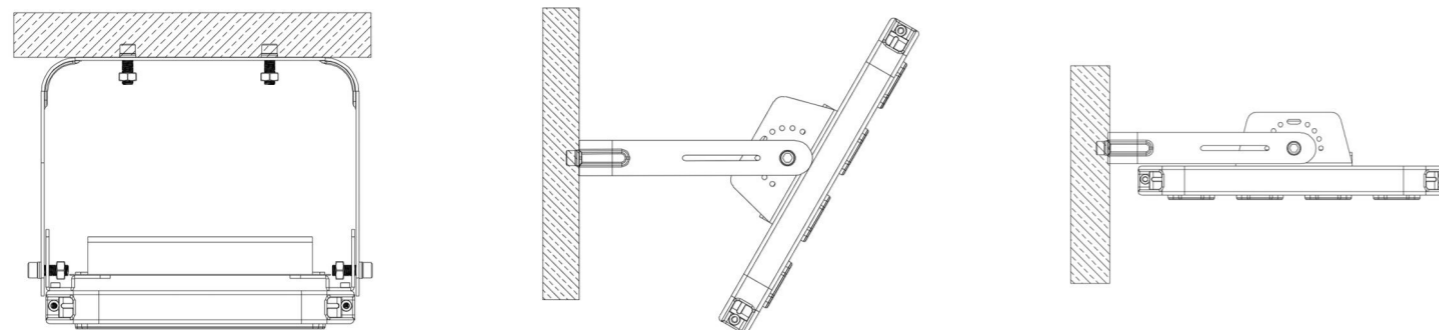


## Features

- 6063 Aluminum die-casting material, modular design, work well for heat dissipation
- Use high quality LEDs and power supply to ensure the product reliability and life expectancy, 5 years warranty
- Anti UV optical lens with transmittance > 94%, and light efficiency can reach to 140LM/W
- Professional light distribution
- IP66 structural dust and waterproof design

## Application

- Tunnels and work shop
- Public square and passage
- Stadium and gymnasium
- Park and Statue



## Technical Features

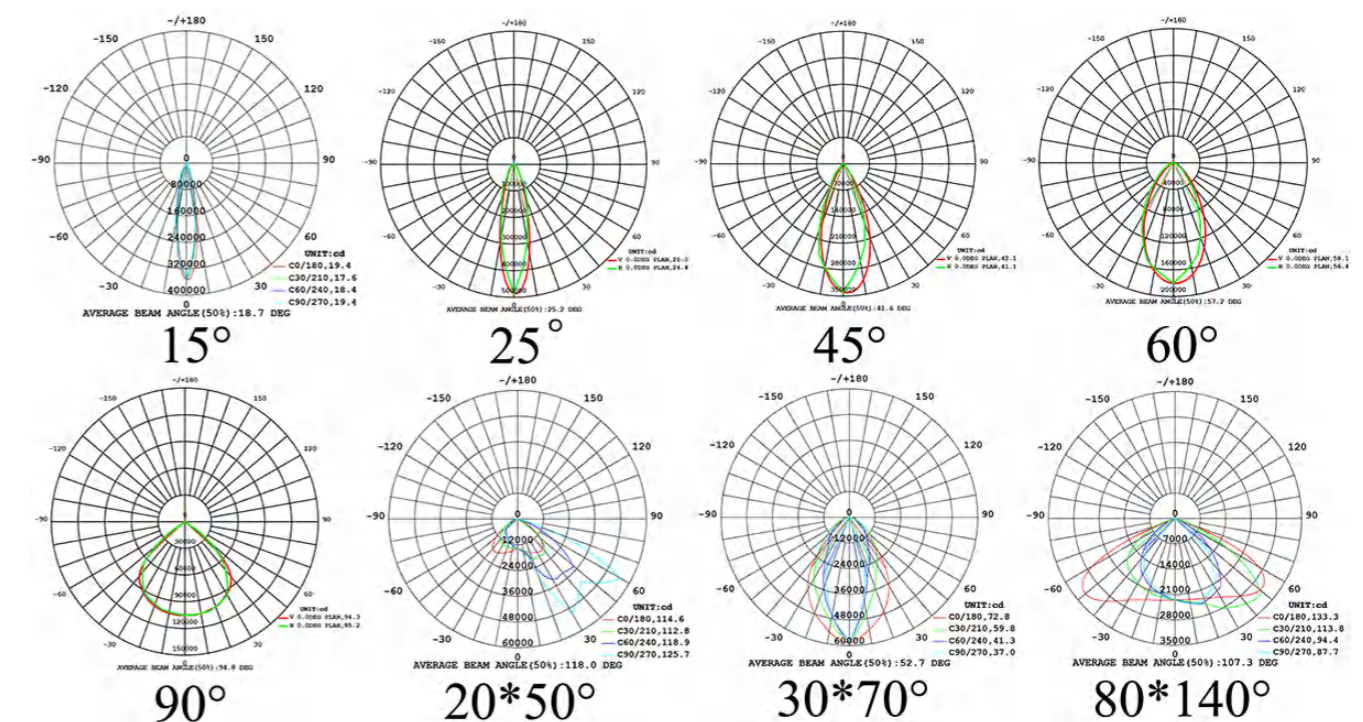
- Input Voltage: AC100-240V 50/60Hz
- Total Harmonic Distortion: THD: < 10%
- Power Factor: PF>0.95
- Color Rendering Index: Ra>80
- Beam Angle: 15/25/45/60/90/20\*50/30\*70/80\*140 degree
- Lumen maintenance @6000h: >97%
- IP Rating: IP66
- Life Span: >50,000 hours
- Warranty: 5 years
- Material: Aluminum
- Dimmable: 1-10V / PWM / Resistance / Dali available
- Operation Temperature: -25~+50 celsius degree
- Storage Temperature: -40~+70 celsius degree

## Datasheet

Product Code	Rated Power	Input Voltage	LED Type	CCT	Power Factor	Luminous Flux (LM)	Lumen Efficacy (LM/W)	CRI
LGS-HMLAU-50W	50W	AC100-240V	Lumileds 3030	2700-6500K	PF>0.95	7000lm± 10%	140	Ra>80
LGS-HMLAU-100W	100W	AC100-240V	Lumileds 3030	2700-6500K	PF>0.95	14000lm± 10%	140	Ra>80
LGS-HMLAU-150W	150W	AC100-240V	Lumileds 3030	2700-6500K	PF>0.95	21000lm± 10%	140	Ra>80
LGS-HMLAU-200W	200W	AC100-240V	Lumileds 3030	2700-6500K	PF>0.95	28000lm± 10%	140	Ra>80
LGS-HMLAU-250W	250W	AC100-240V	Lumileds 3030	2700-6500K	PF>0.95	35000lm± 10%	140	Ra>80
LGS-HMLAU-300W	300W	AC100-240V	Lumileds 3030	2700-6500K	PF>0.95	42000lm± 10%	140	Ra>80
LGS-HMLAU-400W	400W	AC100-240V	Lumileds 3030	2700-6500K	PF>0.95	56000lm± 10%	140	Ra>80
LGS-HMLAU-500W	500W	AC100-240V	Lumileds 3030	2700-6500K	PF>0.95	70000lm± 10%	140	Ra>80
LGS-HMLAU-600W	600W	AC100-240V	Lumileds 3030	2700-6500K	PF>0.95	84000lm± 10%	140	Ra>80



## Photometric Curve



# Venus LED Stadium Light



## Features

- Separate modular design, 250W each modular integrated with driver
- Use high quality LEDs and power supply to ensure the product reliability and life expectancy, 5 years warranty
- Anti UV optical lens, light transmittance > 94%, professional light distribution with different beam angles for various applications
- Lumileds chip and Mean Well driver, CRI > 80, high light efficiency 140LM/W
- IP66 structural waterproof design

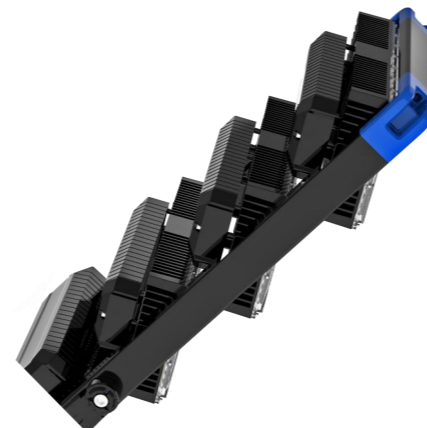
## Application

- Parking areas lighting
- Pubic square and passage
- Stadium and gymnasium
- Park and Statue



## Technical Features

- Input Voltage: AC100-240V 50/60Hz
- Total Harmonic Distortion: THD: < 10%
- Power Factor: PF>0.95
- Color Rendering Index: Ra>80
- Beam Angle: 10/25/45/60/90/130\*40/65\*25\*60 degree
- Lumen maintenance @6000h: >97%
- IP Rating: IP66
- Life Span: >50,000 hours
- Warranty: 5 years
- Material: Aluminum
- Dimmable: 1-10V / PWM / Resistance / Dali available
- Operation Temperature: -25-+50 celsius degree
- Storage Temperature: -40-+70 celsius degree

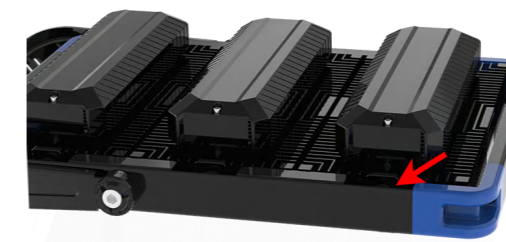


## Datasheet

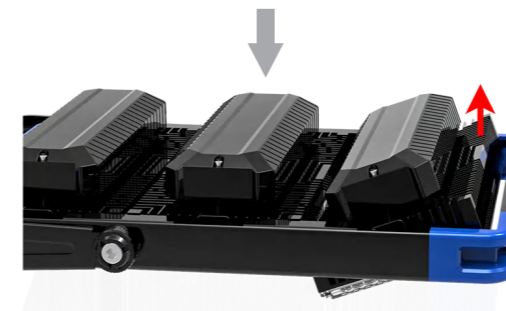
Product Code	Rated Power	Input Voltage	LED Type	CCT	Power Factor	Luminous Flux (LM)	Lumen Efficacy (LM/W)	CRI
LGS-GSLV-250W	250W	AC100-240V	Lumileds	2700-6500K	PF>0.95	35000lm± 10%	140	Ra>80
LGS-GSLV-500W	500W	AC100-240V	Lumileds	2700-6500K	PF>0.95	70000lm± 10%	140	Ra>80
LGS-GSLV-750W	750W	AC100-240V	Lumileds	2700-6500K	PF>0.95	105000lm± 10%	140	Ra>80
LGS-GSLV-1000W	1000W	AC100-240V	Lumileds	2700-6500K	PF>0.95	140000lm± 10%	140	Ra>80
LGS-GSLV-1250W	1250W	AC100-240V	Lumileds	2700-6500K	PF>0.95	175000lm± 10%	140	Ra>80



## Assemble and Disassemble operation:

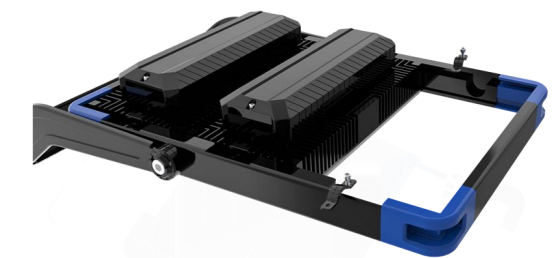


Screw off the wing nuts.

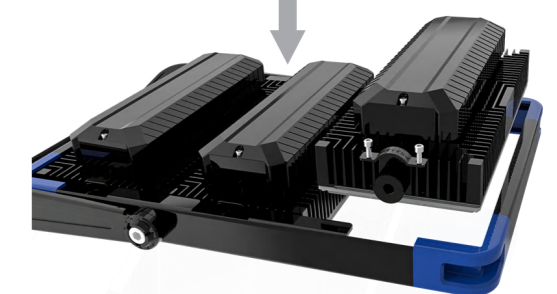


Remove the defective module.

## Disassemble



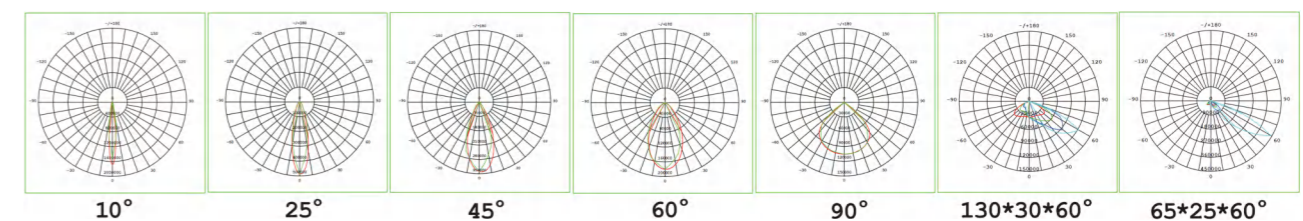
Screw off the wing nuts.



Put on the module, adjust the angle according to requirements and screw on the wing nuts tightly.

## Assemble

## Photometric Curve



# KingKong LED Stadium Light



## Features

- Die-cast Aluminum heat sinking: concise appearance, excellent thermal management and compact structure
- Handlebar design: easy for installation and carry
- Racked angle: allows for precise installation, up to 270°
- Bracket and arm: overall flanging and bending design of the cold-rolled plate, light in weight, high in strength and excellent in firmness
- Special anti-corrosion treatment to reach the WF2 standard and is suitable for various environments
- Packed with reputed brand top quality LEDs and power supply to ensure the product reliability and life expectancy, 5 years warranty
- IP66 structural waterproof design
- Double surge protection: driver & extra 10KV SPD
- Tempered glass cover, achieves IK08 and apply in harsh conditions
- Professional light distribution with different beam angles for various applications
- Spill shield to reduce light pollution

## Application

- Parking areas lighting
- Pubic square and passage
- Stadium and gymnasium
- Park and Statue

## Technical Features

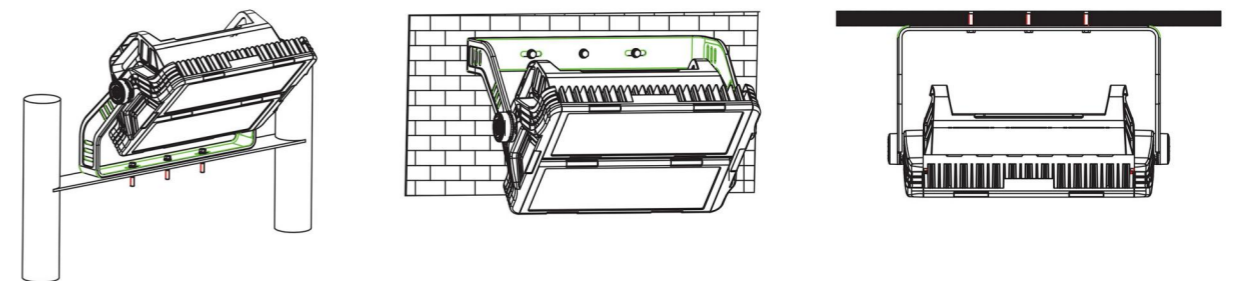
- Input Voltage: AC100-240V 50/60Hz
- Total Harmonic Distortion: THD: < 10%
- Power Factor: PF>0.95
- Color Rendering Index: Ra>80
- Beam Angle: 10/25/45/60/90/Asymmetric 60 degree
- Lumen maintenance @6000h: >97%
- IP Rating: IP66
- Life Span: >50,000 hours
- Warranty: 5 years
- Material: Aluminum+Polycarbonate lens+Tempered glass
- Dimmable: 1-10V / PWM / Resistance / Dali available
- Operation Temperature: -25-+50 celsius degree
- Storage Temperature: -40-+70 celsius degree

## Datasheet

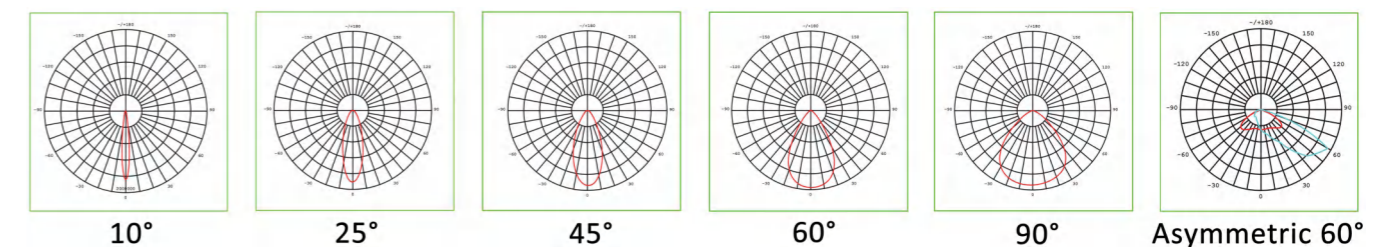
Product Code	Rated Power	Input Voltage	LED Type	CCT	Power Factor	Luminous Flux (LM)	Lumen Efficacy (LM/W)	CRI
LGS-GSLKK-400W	400W	AC100-240V	Lumileds/Osram	2700-6500K	PF>0.95	60000lm± 10%	150	Ra>80
LGS-GSLKK-500W	500W	AC100-240V	Lumileds/Osram	2700-6500K	PF>0.95	75000lm± 10%	150	Ra>80
LGS-GSLKK-600W	600W	AC100-240V	Lumileds/Osram	2700-6500K	PF>0.95	90000lm± 10%	150	Ra>80
LGS-GSLKK-800W	800W	AC100-240V	Lumileds/Osram	2700-6500K	PF>0.95	120000lm± 10%	150	Ra>80
LGS-GSLKK-1000W	1000W	AC100-240V	Lumileds/Osram	2700-6500K	PF>0.95	150000lm± 10%	150	Ra>80
LGS-GSLKK-1200W	1200W	AC100-240V	Lumileds/Osram	2700-6500K	PF>0.95	180000lm± 10%	150	Ra>80
LGS-GSLKK-1500W	1500W	AC100-240V	Lumileds/Osram	2700-6500K	PF>0.95	225000lm± 10%	150	Ra>80
LGS-GSLKK-1800W	1800W	AC100-240V	Lumileds/Osram	2700-6500K	PF>0.95	270000lm± 10%	150	Ra>80



## Installations



## Photometric Curve



# Jupiter LED High Mast Light



## Features

- Separate modular design, 180W each modular integrated with driver
- Fashional ADC12 die-casting aluminum housing for good performance of heat dissipation
- Use high quality LEDs and power supply to ensure the product reliability and life expectancy, 5 years warranty
- Anti UV optical lens, light transmittance > 94%, professional light distribution with different beam angles for various applications
- IP66 structural dust and waterproof design
- Tempered glass cover available for harsh environments

## Application

- Parking areas lighting
- Pubic square and passage
- Stadium and gymnasium
- Park and Statue

## Technical Features

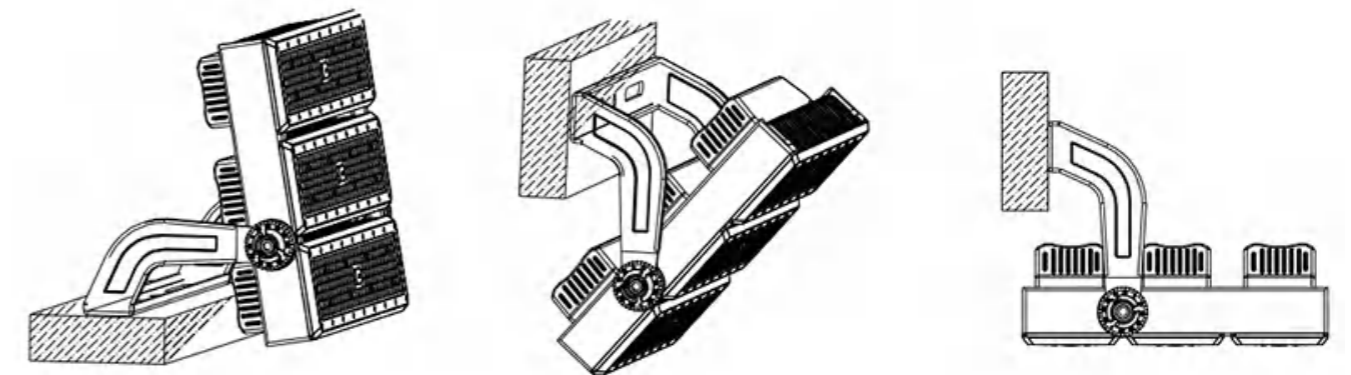
- Input Voltage: AC100-240V 50/60Hz
- Total Harmonic Distortion: THD: < 10%
- Power Factor: PF>0.95
- Color Rendering Index: Ra>80
- Beam Angle: 30/45/60/90/140\*80/120\*40\*60 degree
- Lumen maintenance @6000h: >97%
- IP Rating: IP66
- Life Span: >50,000 hours
- Warranty: 5 years
- Material: Aluminum
- Dimmable: 1-10V / PWM / Resistance / Dali available
- Operation Temperature: -25--+50 celsius degree
- Storage Temperature: -40--+70 celsius degree

## Datasheet

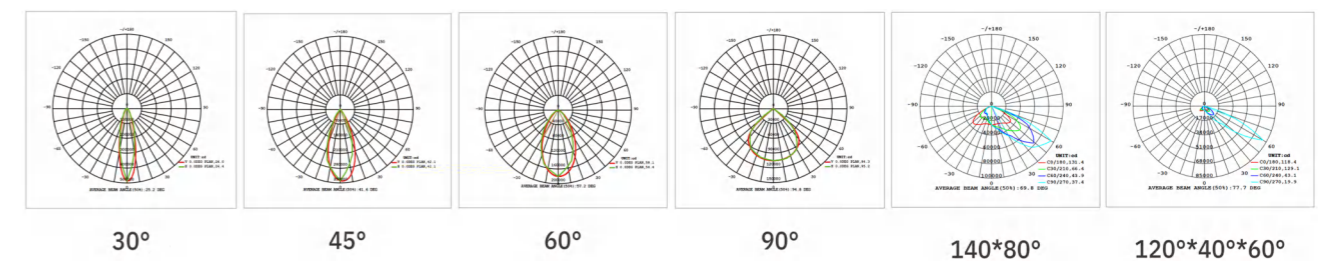
Product Code	Rated Power	Input Voltage	LED Type	CCT	Power Factor	Luminous Flux (LM)	Lumen Efficacy (LM/W)	CRI
LGS-HMLJP-180W	180W	AC100-240V	Lumileds	2700-6500K	PF>0.95	27000lm± 10%	150	Ra>80
LGS-HMLJP-360W	360W	AC100-240V	Lumileds	2700-6500K	PF>0.95	54000lm± 10%	150	Ra>80
LGS-HMLJP-540W	540W	AC100-240V	Lumileds	2700-6500K	PF>0.95	81000lm± 10%	150	Ra>80
LGS-HMLJP-720W	720W	AC100-240V	Lumileds	2700-6500K	PF>0.95	108000lm± 10%	150	Ra>80
LGS-HMLJP-900W	900W	AC100-240V	Lumileds	2700-6500K	PF>0.95	135000lm± 10%	150	Ra>80
LGS-HMLJP-1080W	1080W	AC100-240V	Lumileds	2700-6500K	PF>0.95	162000lm± 10%	150	Ra>80
LGS-HMLJP-1260W	1260W	AC100-240V	Lumileds	2700-6500K	PF>0.95	189000lm± 10%	150	Ra>80
LGS-HMLJP-1440W	1440W	AC100-240V	Lumileds	2700-6500K	PF>0.95	216000lm± 10%	150	Ra>80



## Installation



## Photometric Curve



# Titan LED High Mast Light



## Features

- Die-cast Aluminum heat sinking, high thermal conductivity enables rapid heat dissipation to the outside, excellent thermal management & compact structure
- Separate modular design, 300W each modular integrated with driver
- Packed with reputed brand top quality LEDs and power supply to ensure the product reliability and life expectancy, 5 years warranty
- Anti UV optical lens, light transmittance > 94%, professional light distribution with different beam angles for various applications
- IP66 structural dust and waterproof design
- Double surge protection: driver & extra 10KV SPD
- Optional tempered glass cover, achieves IK08 and apply in harsh conditions
- Spill shield to reduce light pollution

## Application

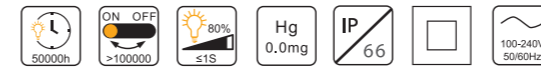
- Parking areas lighting
- Public square and passage
- Stadium and gymnasium
- Park and Statue

## Technical Features

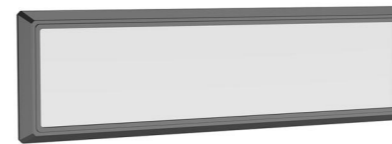
- Input Voltage: AC100-240V 50/60Hz
- Total Harmonic Distortion: THD: < 10%
- Power Factor: PF>0.95
- Color Rendering Index: Ra>80
- Beam Angle: 10/25/45/60/90/60\*25 degree
- Lumen maintenance @6000h: >97%
- IP Rating: IP66
- Life Span: >50,000 hours
- Warranty: 5 years
- Material: Aluminum Housing + Polycarbonate Lens + Tempered Glass Cover(on request)
- Dimmable: 1-10V / PWM / Resistance / Dali available
- Operation Temperature: -25-+50 celsius degree
- Storage Temperature: -40-+70 celsius degree

## Datasheet

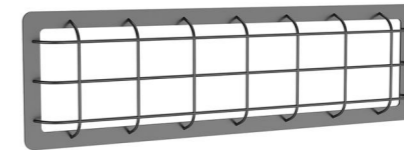
Product Code	Rated Power	Input Voltage	LED Type	CCT	Power Factor	Luminous Flux (LM)	Lumen Efficacy (LM/W)	CRI
LGS-GSTA-300W	300W	AC100-240V	Lumileds/Osram	2700-6500K	PF>0.95	48,000lm± 10%	160	Ra>80
LGS-GSTA-600W	600W	AC100-240V	Lumileds/Osram	2700-6500K	PF>0.95	96,000lm± 10%	160	Ra>80
LGS-GSTA-900W	900W	AC100-240V	Lumileds/Osram	2700-6500K	PF>0.95	144,000lm± 10%	160	Ra>80
LGS-GSTA-1200W	1200W	AC100-240V	Lumileds/Osram	2700-6500K	PF>0.95	192,000lm± 10%	160	Ra>80
LGS-GSTA-1500W	1500W	AC100-240V	Lumileds/Osram	2700-6500K	PF>0.95	240,000lm± 10%	160	Ra>80



## Optional Accessories



Tempered Glass Cover



Anti-Collision Iron Fence



Light Overflow Mask



Surge Protector



Laser Pointer



Waterproof Wire Connection Box

## Photometric Curve

