

# Cygnus LED Vapor Light



## Features

- Packed with top reputed branded LEDs and power supply, to ensure the product reliability and life expectancy
- Adopt dust and waterproof structure design, protection level IP65
- Polycarbonate body and diffuser, aluminum heat sinking inside, high impact resistance, UV resistance
- Fast and easy installation to replace existing lighting fixtures
- 0-10V dimmable/DALI/Motion Sensor/Emergency available
- Long lifetime over 50,000 hours, 5 years warranty

## Application

- Underfloor cars parking lot
- Supermarkets, shops, hotels
- Stockrooms, warehouses, workshops
- Airport/Train/Bus station waiting rooms, etc

## Technical Features

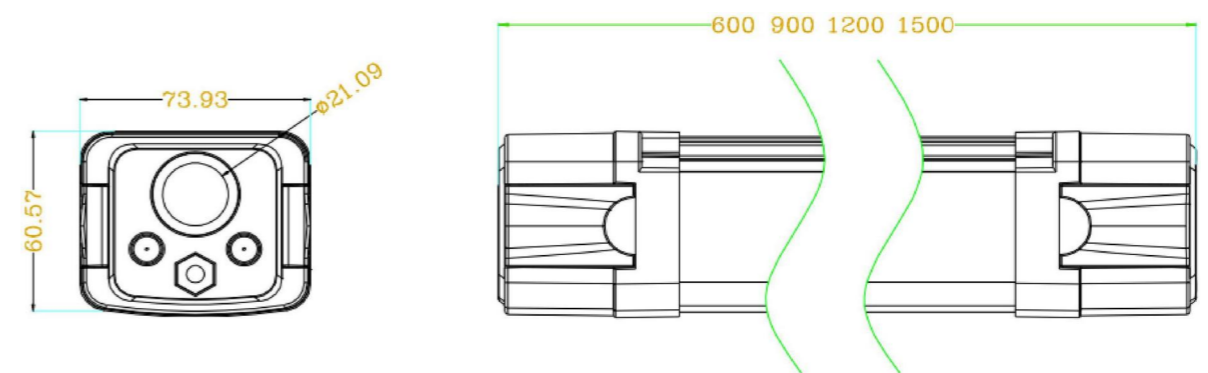
- Input Voltage: AC100-240V 50/60Hz
- Total Harmonic Distortion: THD: < 10%
- Power Factor: PF>0.95
- Color Rendering Index: Ra>80
- Beam Angle: 120 degree
- Lumen maintenance @6000h: >97%
- IP Rating: IP65
- Life Span: >50,000 hours
- Warranty: 5 years
- Material: Aluminum + Polycarbonate
- Dimmable: 1-10V / PWM / Resistance / Dali available
- Operation Temperature: -30-+50 celsius degree
- Storage Temperature: -40-+70 celsius degree

## Datasheet

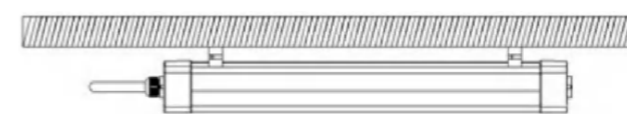
Product Code	Rated Power	Input Voltage	LED Type	CCT	Power Factor	Luminous Flux (LM)	Lumen Efficacy (LM/W)	CRI
LGS-TPLCN-06-20W	20W	AC100-240V	SMD2835	2700-6500K	PF>0.95	2800lm± 10%	140	Ra>80
LGS-TPLCN-09-30W	30W	AC100-240V	SMD2835	2700-6500K	PF>0.95	4200lm± 10%	140	Ra>80
LGS-TPLCN-12-40W	40W	AC100-240V	SMD2835	2700-6500K	PF>0.95	5600lm± 10%	140	Ra>80
LGS-TPLCN-15-50W	50W	AC100-240V	SMD2835	2700-6500K	PF>0.95	7000lm± 10%	140	Ra>80



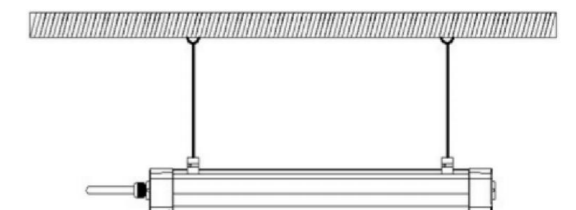
## Measures



## Installation



Ceiling/Wall Mounting



Suspending Mounted